



SERVICE PARTS LIST

BULLETIN NO.
54-38-0026

SPECIFY CATALOG NO. AND SERIAL NO. WHEN ORDERING PARTS		REVISED BULLETIN	DATE
D. I. 6000 RPM DIAL SPEED SANDER		54-38-0025	June 2006
CATALOG NO.	6078	WIRING INSTRUCTION 58-01-0225	
SERIAL NUMBER	834B		

00
0

EXAMPLE:
Component Parts (Small #) Are Included
When Ordering The Assembly (Large #).

★ = Part number change from previous
service parts list.

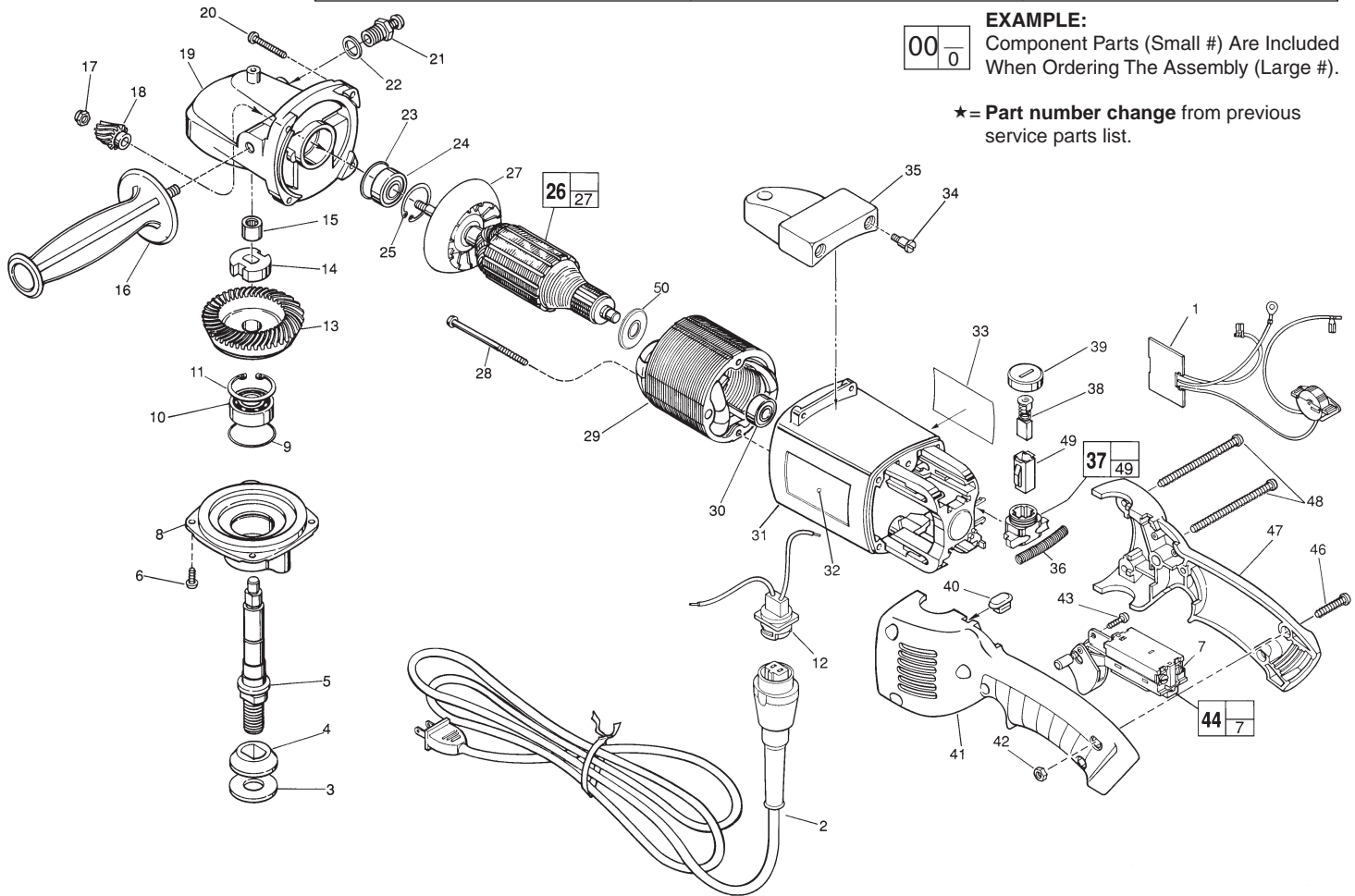


FIG.	PART NO.	DESCRIPTION OF PART	NO REQ.
★ 1	14-20-1035	Dial Module Assembly	(1)
★ 2	48-76-5010	Quik-Lok Cord Set	(1)
3	45-88-8465	Spindle Washer	(1)
4	49-05-0060	Spindle Washer - Flange	(1)
5	38-50-5645	Spindle Shaft	(1)
6	06-82-8864	10-24 x 1/2" Pan Hd. Sems T-25 Screw	(4)
★ 7	05-78-0305	Terminal Screw	(4)
8	28-14-1900	Lower Gear Case	(1)
★ 9	34-40-1550	1-9/16" O-Ring	(1)
★ 10	02-04-1745	Ball Bearing	(1)
11	34-80-2960	Retaining Ring - Internal	(1)
12	22-56-0680	Blade Housing Assembly	(1)
13	32-05-2191	Spiral Bevel Gear	(1)
14	42-74-0080	Spindle Locking Cog	(1)
15	02-50-2423	Needle Bearing	(1)
★ 16	43-62-1265	Side Handle	(1)
★ 17	06-55-3860	1/4 - 28 Hex Nut	(1)
18	32-60-1286	Spiral Bevel Pinion	(1)
19	28-14-2090	Upper Gear Case	(1)
20	06-82-7224	10-14 x 1" Pan Hd. Plastite T-25 Screw	(4)
21	44-20-0235	Spindle Lock Assembly	(1)
22	45-88-5320	Flat Washer	(1)
23	34-40-1375	1-1/4" O-Ring	(1)
★ 24	02-04-1860	Ball Bearing	(1)
25	34-80-2600	Retaining Ring - Internal	(1)
★ 26	16-50-1185	120 V. Armature	(1)
27	22-84-0710	Fan	(1)
28	06-82-7375	8-16 x 2-1/2" Pan Hd. Plastite T-20 Screw	(2)
29	18-50-0170	120 V. Field	(1)
30	02-04-0845	Ball Bearing	(1)

FIG.	PART NO.	DESCRIPTION OF PART	NO REQ.
★ 31	31-50-0548	Motor Housing	(1)
★ 32	12-20-6100	Service Nameplate Kit	(1)
★ 33	10-98-1800	Warning Label	(1)
34	45-04-0720	Shoulder Screw	(3)
35	31-70-0140	Tool Rest	(1)
36	40-50-7770	Brush Holder Spring	(2)
37	22-22-1325	Brush Holder Assembly	(2)
38	22-18-0680	Brush Assembly	(2)
39	23-44-0210	Brush Retaining Screw	(2)
40	42-38-0190	Bumper	(1)
41	31-44-1771	Left Handle Half	(1)
42	06-55-1050	10-24 Hex Nut	(5)
43	06-82-7409	8-16 x 1/2" Slot. Pan Hd. T-20 Screw	(1)
44	23-66-1940	Switch	(1)
46	06-82-2568	10-24 x 7/8" Slot. Pan Hd. T-25 Screw	(3)
47	31-44-1776	Right Handle Half	(1)
48	06-82-2598	10-24 x 2-3/4" Slot. Pan Hd. T-25 Screw	(2)
49	22-20-0660	Brush Tube	(2)
★ 50	23-16-1700	Commutator Insulator	(1)

FIG. NOTES:
14,17 Apply Type 277 Red Loctite.

FIG. LUBRICATION:
★ 19 **Important!** Completely clean out old grease from the upper gearcase and replace with 1.5 Oz. Type "Y" Grease, No. 49-08-5270.

MILWAUKEE ELECTRIC TOOL CORPORATION
13135 W. LISBON RD., BROOKFIELD, WI 53005
Drwg. 4