



SERVICE PARTS LIST

BULLETIN NO.
54-26-2530

SPECIFY CATALOG NO. AND SERIAL NO. WHEN ORDERING PARTS		REVISED BULLETIN	DATE
M18™ 1/2" Square Impact Wrench			Feb. 2014
CATALOG NO.	2659-20	STARTING SERIAL NO.	F50A
			WIRING INSTRUCTION SEE PAGE 3

EXAMPLE:
00 0 Component Parts (Small #) Are Included
When Ordering The Assembly (Large #).

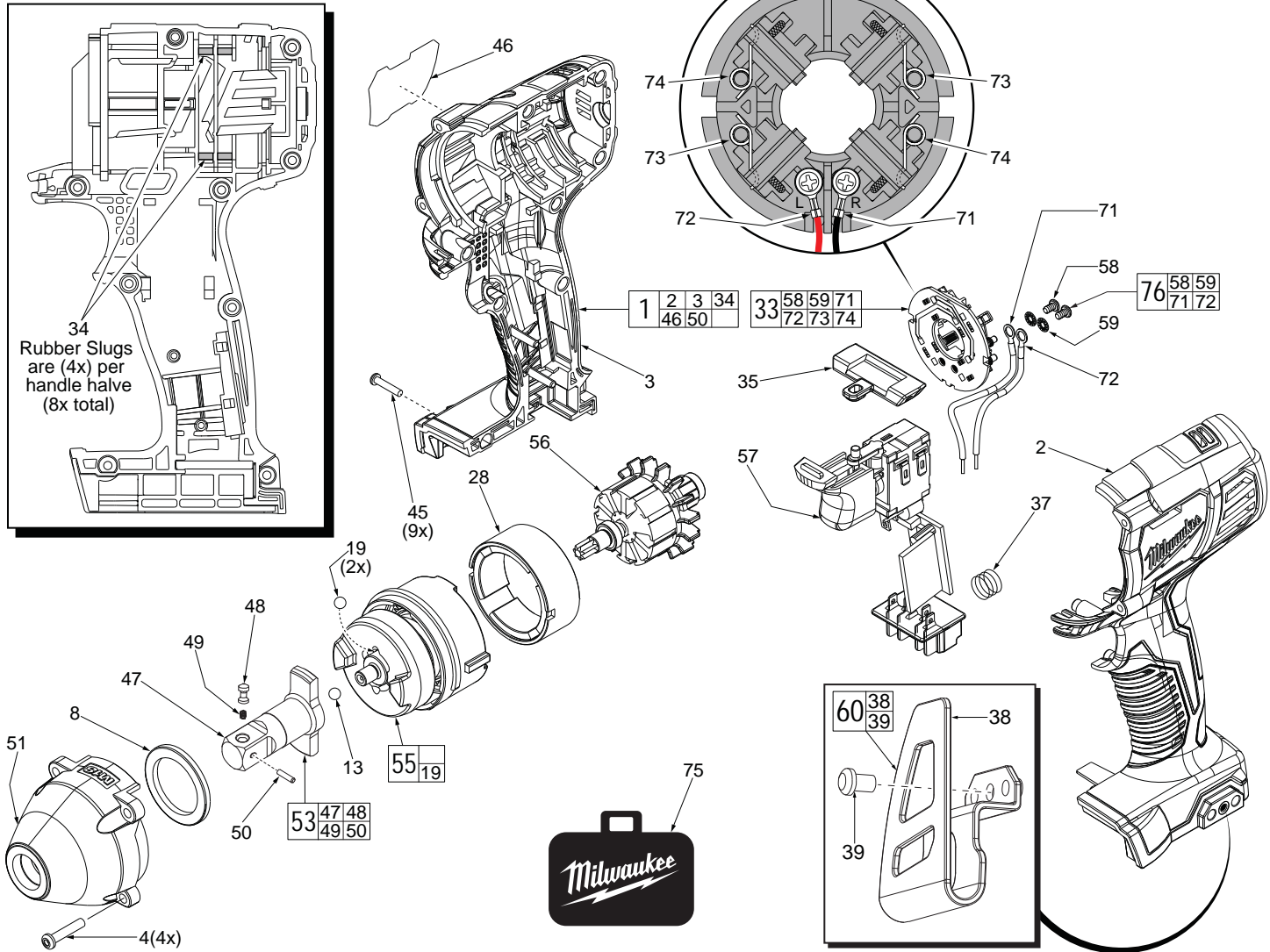


FIG.	PART NO.	DESCRIPTION OF PART	NO. REQ.	FIG.	PART NO.	DESCRIPTION OF PART	NO. REQ.
1	31-44-1040	Housing Assembly	1	55	14-30-0115	Gearbox Assembly	1
2	-----	Left Housing Halve	1	56	16-01-3010	Service Armature Assembly	1
3	-----	Right Handle Halve	1	57	23-66-2659	Electronics Assembly Consisting of On-Off Switch, PCBA, Battery Connector Block and LED	1
4	06-82-0160	PT Screw	4	58	05-88-0926	M3 x 5mm Pan Hd. T-10 Screw	2
8	45-88-1317	Plastic Washer	1	59	45-88-1980	Spring Washer	2
13	02-02-1300	M5 Steel Ball	1	60	42-70-2653	Belt Clip Assembly	1
19	02-02-0180	4.7mm Steel Ball	2	71	-----	Leadwire Assembly - Black - Right Side	1
28	18-01-3010	Service Field	1	72	-----	Leadwire Assembly - Red - Left Side	1
33	22-22-2657	Brush Card Assembly	1	73	-----	Brush Spring - Right	2
34	45-30-0250	Rubber Slug	8	74	-----	Brush Spring - Left	2
35	45-24-2657	Forward / Reverse Shuttle	1	75	42-55-2762	Carrying Case	1
37	40-50-1090	Terminal Block Spring	1	76	14-46-2394	Leadwire/Screw/Washer Kit	1
38	-----	Belt Clip	1	77	10-20-1126	Warning Label (Not Shown)	1
39	06-82-0130	6-32 x 5/16" Pan Hd. T-15 Mach. Screw	1				
45	06-82-6350	M3 x 16m Pan Hd. ST T-10 Screw	9				
46	12-20-2622	Service Nameplate	1				
47	-----	1/2" Square Anvil with Needle Bearing	1				
48	44-60-0515	Detent Pin	1				
49	40-50-0925	Spring	1				
50	06-65-0150	Roller Pin	1				
51	28-50-0060	Front Gearcase with Bushing	1				
53	42-06-0105	1/2" Square Anvil Assembly with Bearing	1				

INSTALLING BRUSH SPRINGS ON A BRUSH CARD ASSEMBLY WITH FOUR (4) BRUSHES

There are two Right Hand Brush Springs and two Left Hand Brush Springs. If needed, follow the instructions below for proper installation.

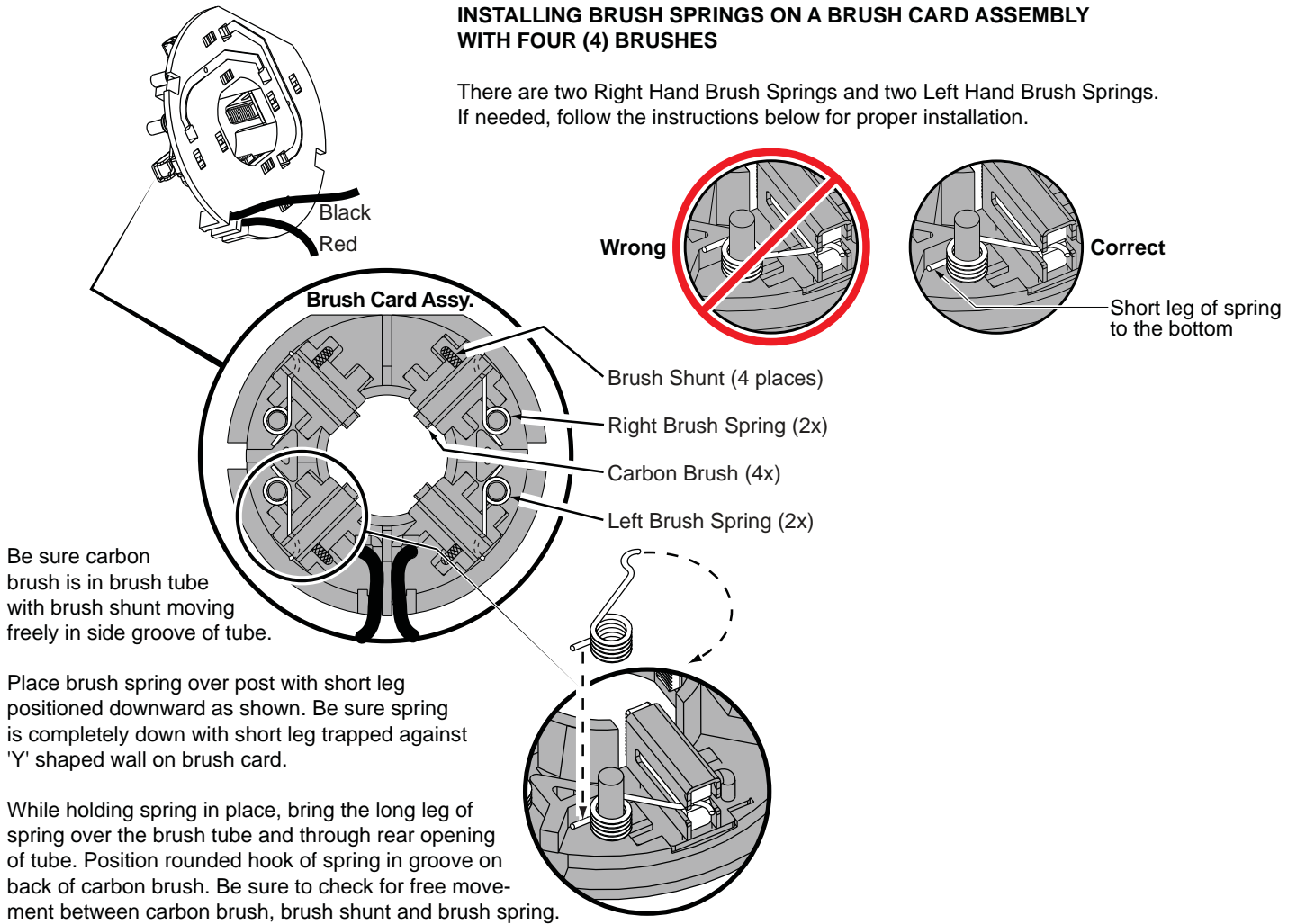


FIG. NOTES:

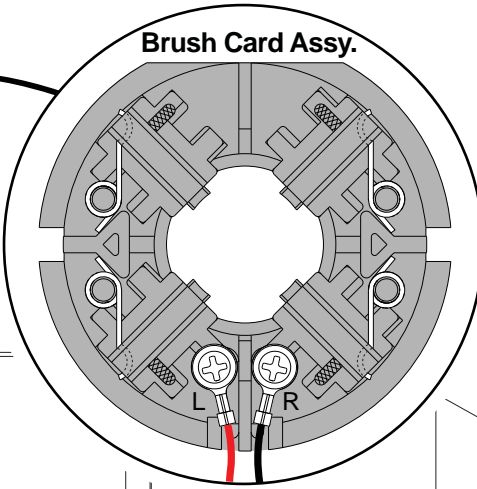
- 15,16,17 See service note and illustration on the back of bulletin to aid with the removal and installation of the the Brush Card (15), Armature (16) and Field (17).
- 17 Field (17) to be positioned with side cut-outs to the front.
- 20,21 Position Ring Gear (21) with three lugs face down to interlock in the bottom of Rear Case (20).
- 20,43 Be sure to match the raised contours on the bottom of Rear Case (20) with raised contour on bottom of Front Case (43) when assembling.
- 29,30 Make sure concave side of Washer (29) faces Spring (30).
- 42,43 Tapered end of Front Washer (42) to face Front Case (43).

FIG. LUBRICATION (Type 'J' Grease, No. 49-08-4220):

- 21,26 Lightly coat I.D. of the Ring Gear (21) and center of the two Planet Gears (26) with grease.
- 27 Place a dab of grease in the ball grooves of the Cam Shaft (27).
- 36,37 Lightly coat front washer surface of Anvil (36) with grease, place a dab in the Ball holes of Anvil and in Needle Bearing inside the Anvil.
- 43 Coat inside grooves of Bushing (inside of 43) with grease.

Brush Card Assy.

● = WIRE TRAPS
or GUIDES



Model 2658-20 Shown

LED Assembly

Brush Card Assembly

On-Off Switch

PCB Assembly

Battery Connector Block

Insulating Sleeve

