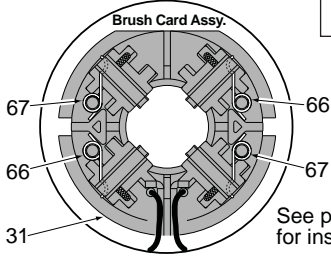




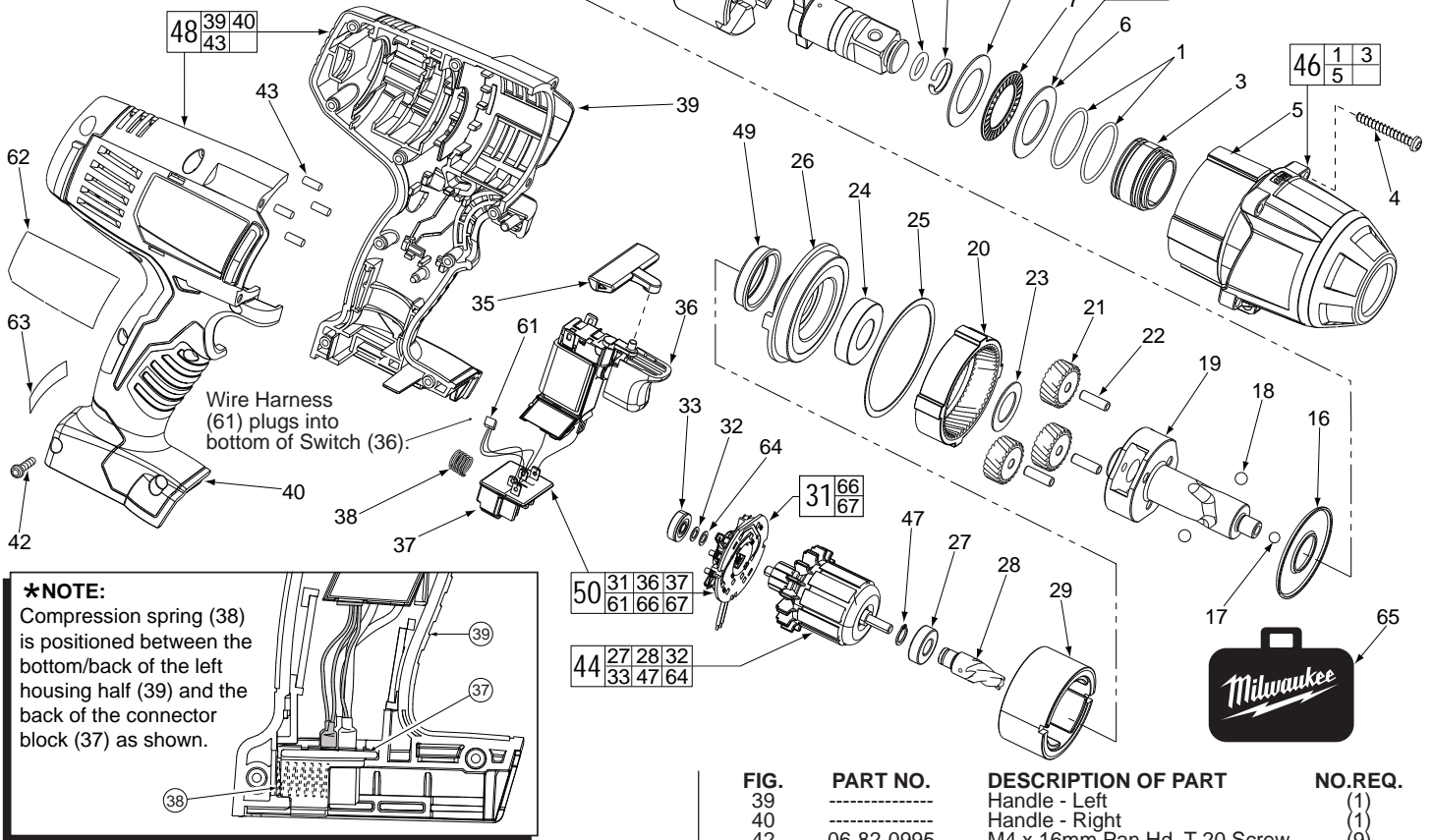
SERVICE PARTS LIST

BULLETIN NO.
54-26-2680

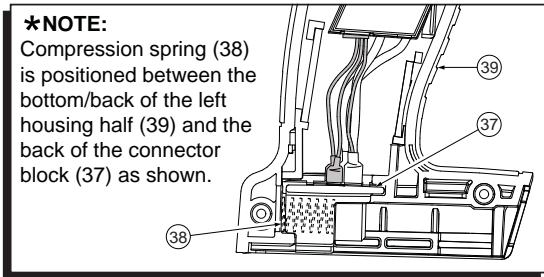
SPECIFY CATALOG NO. AND SERIAL NO. WHEN ORDERING PARTS		REVISED BULLETIN	DATE
CORDLESS 18V 3/4" SQUARE IMPACT WRENCH			July 2013
CATALOG NO.	2664-20	STARTING SERIAL NO.	B81A
		WIRING INSTRUCTION See Page 3	



See page 2 for instructions



EXAMPLE:
Component Parts (Small #) Are Included When Ordering The Assembly (Large #).



***NOTE:**
Compression spring (38) is positioned between the bottom/back of the left housing half (39) and the back of the connector block (37) as shown.

FIG.	PART NO.	DESCRIPTION OF PART	NO.REQ.
1	-----	O-Ring	(2)
3	-----	Bushing	(1)
4	05-88-5988	M5 X 35mm Pan Hd. Slit. T-20 Screw	(4)
5	-----	Gearcase Housing	(1)
6	-----	Washer	(2)
7	-----	Thrust Bearing	(1)
10	42-06-0690	3/4" Anvil	(1)
12	-----	Hammer	(1)
13	02-80-0200	Thrust Bearing	(1)
14	45-88-1006	Washer	(1)
15	-----	Compression Spring	(1)
16	45-88-1650	Washer	(1)
17	02-02-7010	7/32" Ball	(1)
18	02-02-0250	1/4" Ball	(2)
19	-----	Camshaft	(1)
20	32-65-0260	Ring Gear	(1)
21	32-62-0500	Planet Gear	(3)
22	44-60-1960	Pin	(3)
23	45-88-1655	Washer	(1)
24	02-04-0375	Ball Bearing	(1)
25	34-40-0290	Seal Ring	(1)
26	44-66-0895	Motor Mount Plate	(1)
27	-----	Ball Bearing - Front	(1)
28	-----	Pinion	(1)
29	18-01-3025	Service Field Assembly	(1)
31	22-22-1700	Brush Card	(1)
32	-----	Washer	(1)
33	-----	Ball Bearing - Rear	(1)
35	45-24-0570	Forward / Reverse Shuttle	(1)
36	23-66-0427	Switch	(1)
37	-----	Connector Block	(1)
38	40-50-1090	Compression Spring	(1)

FIG.	PART NO.	DESCRIPTION OF PART	NO.REQ.
39	-----	Handle - Left	(1)
40	-----	Handle - Right	(1)
42	06-82-0995	M4 x 16mm Pan Hd. T-20 Screw	(9)
43	45-30-0255	Rubber Slug	(4)
44	16-01-3030	Armature Assembly	(1)
46	14-30-0965	Front Housing Assembly	(1)
47	-----	Retaining Ring	(1)
48	31-44-0695	Handle Set	(1)
49	45-22-0380	Rubber Cap	(1)
50	22-56-1450	Switch/Connector Block Assembly	(1)
56	34-40-1210	O-Ring	(1)
58	44-90-4540	C-Ring	(1)
61	-----	Wire Harness	(1)
62	12-20-2670	Service Nameplate Kit	(1)
63	10-20-2998	Warning Label	(1)
64	-----	Washer	(1)
65	42-55-2665	Carrying Case, Optional	(1)
66	40-50-2170	Brush Spring - Right Handed	(2)
67	40-50-2175	Brush Spring - Left Handed	(2)
69	14-46-2070	Camshaft/Hammer Service Kit	(1)
70	45-88-1877	Washer/Bearing Kit	(1)
71	14-46-0755	Spring/Washer/Bearing Kit	(1)

FIG. LUBRICATION
(Type 'Z' Grease, No. 49-08-7655):

20,21 Lightly coat the I.D. of the Ring Gear (20) and the center of the three Planet Gears (21) with grease.

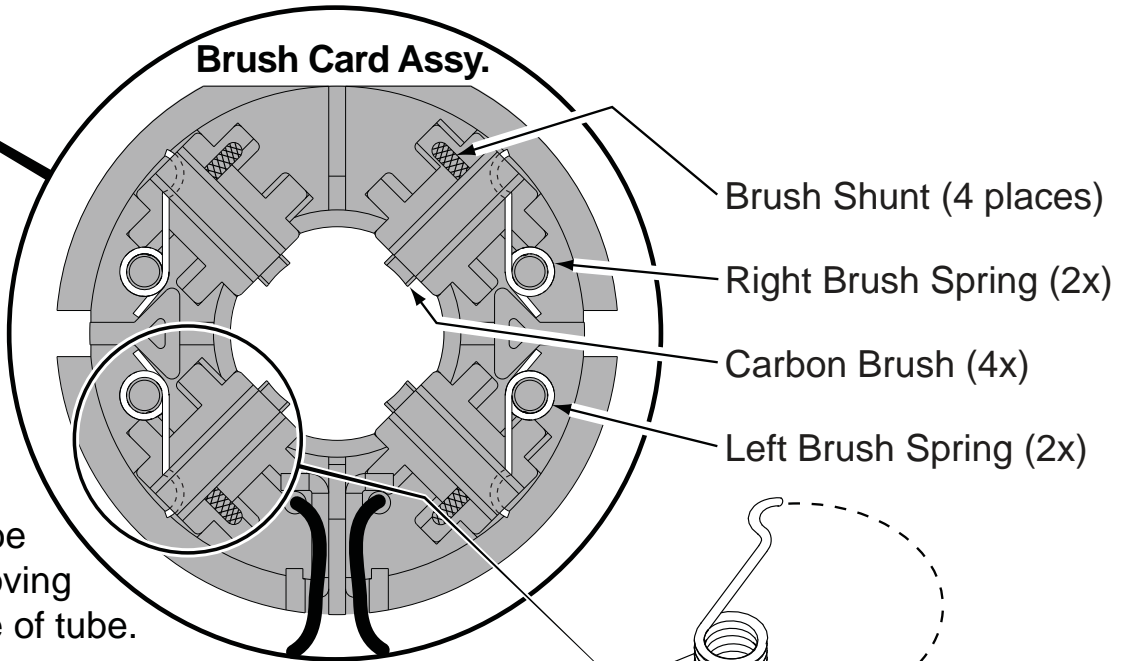
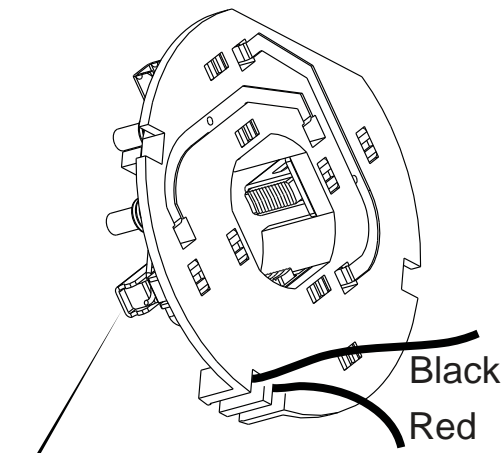
19 Place a dab of grease in ball grooves of the Cam Shaft (19).

10 Lightly coat the front washer surface of Anvil (10) with grease, place a dab in the Ball hole on the backside of Anvil.

3 Coat outside grooves of Bushing (3) with grease.

INSTALLING BRUSH SPRINGS ON A BRUSH CARD ASSEMBLY WITH FOUR (4) BRUSHES

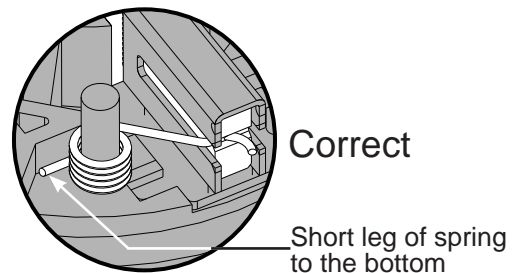
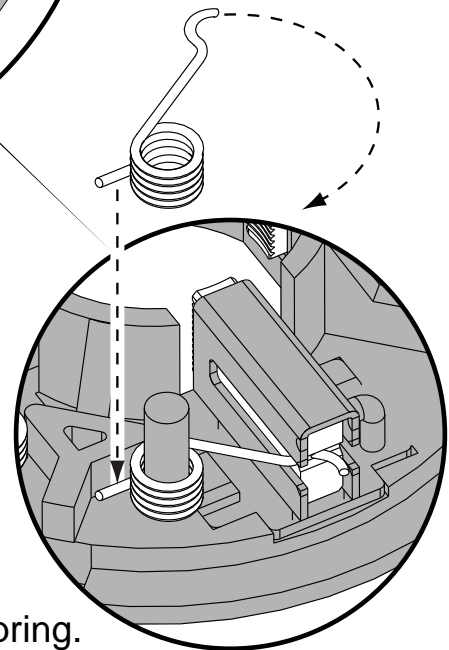
There are two 40-50-2170 RH Brush Springs and two 40-50-2175 LH Brush Springs. Follow the instructions below for proper installation.

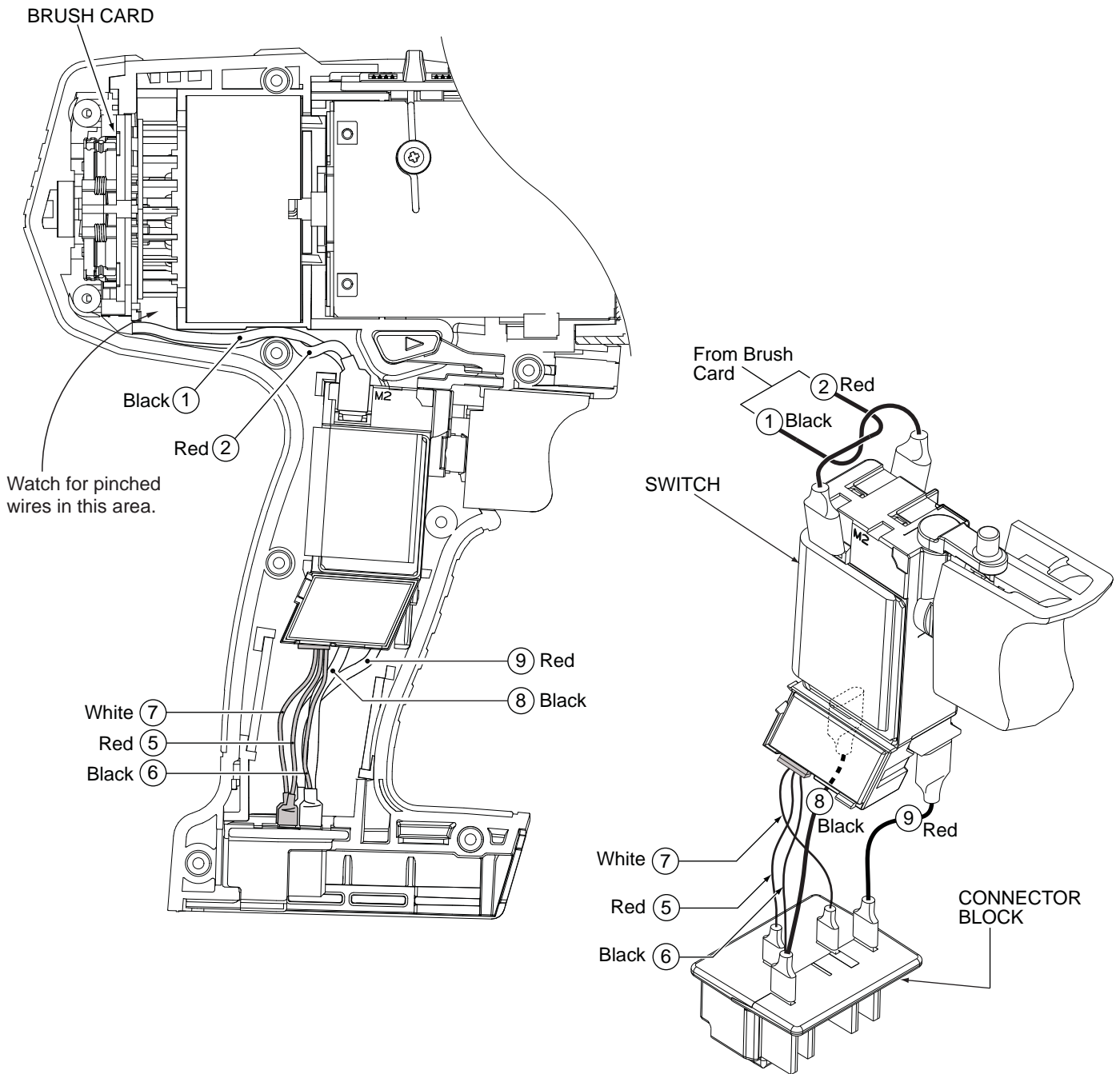


Be sure carbon brush is in brush tube with brush shunt moving freely in side groove of tube.

Place brush spring over post with short leg positioned downward as shown. Be sure spring is completely down with short leg trapped against 'Y' shaped wall on brush card.

While holding spring in place, bring the long leg of spring over the brush tube and through rear opening of tube. Position rounded hook of spring in groove on back of carbon brush. Be sure to check for free movement between carbon brush, brush shunt and brush spring.





WIRING SPECIFICATIONS

Wire No.	Wire Color	Origin or Gauge	Length	Terminals, Connectors and 1 or 2 End Wire Preparation
1	Black	----	----	Component of the Switch/Connector Block Assembly.
2	Red	----	----	Component of the Switch/Connector Block Assembly.
5	Red	----	----	Component of the Switch/Connector Block Assembly.
6	Black	----	----	Component of the Switch/Connector Block Assembly.
7	White	----	----	Component of the Switch/Connector Block Assembly.
8	Black	----	----	Component of the Switch/Connector Block Assembly.
9	Red	----	----	Component of the Switch/Connector Block Assembly.

