



SERVICE PARTS LIST

BULLETIN NO.
54-22-2400

SPECIFY CATALOG NO. AND SERIAL NO. WHEN ORDERING PARTS		REVISED BULLETIN	DATE
12 VOLT MULTI-TOOL			Oct. 2010
CATALOG NO.	2426-20	STARTING SERIAL NO.	C73A
		WIRING INSTRUCTION See Reverse Side	

EXAMPLE:
Component Parts (Small #)
Are Included When Ordering
The Assembly (Large #).

Install spring clip (35)
into the left housing
half (28) prior to
installing right
housing half (3).
NOTE: Right
spring interlock
must match that of
the left housing
half prior to
tightening housing
screws (1 and 4).

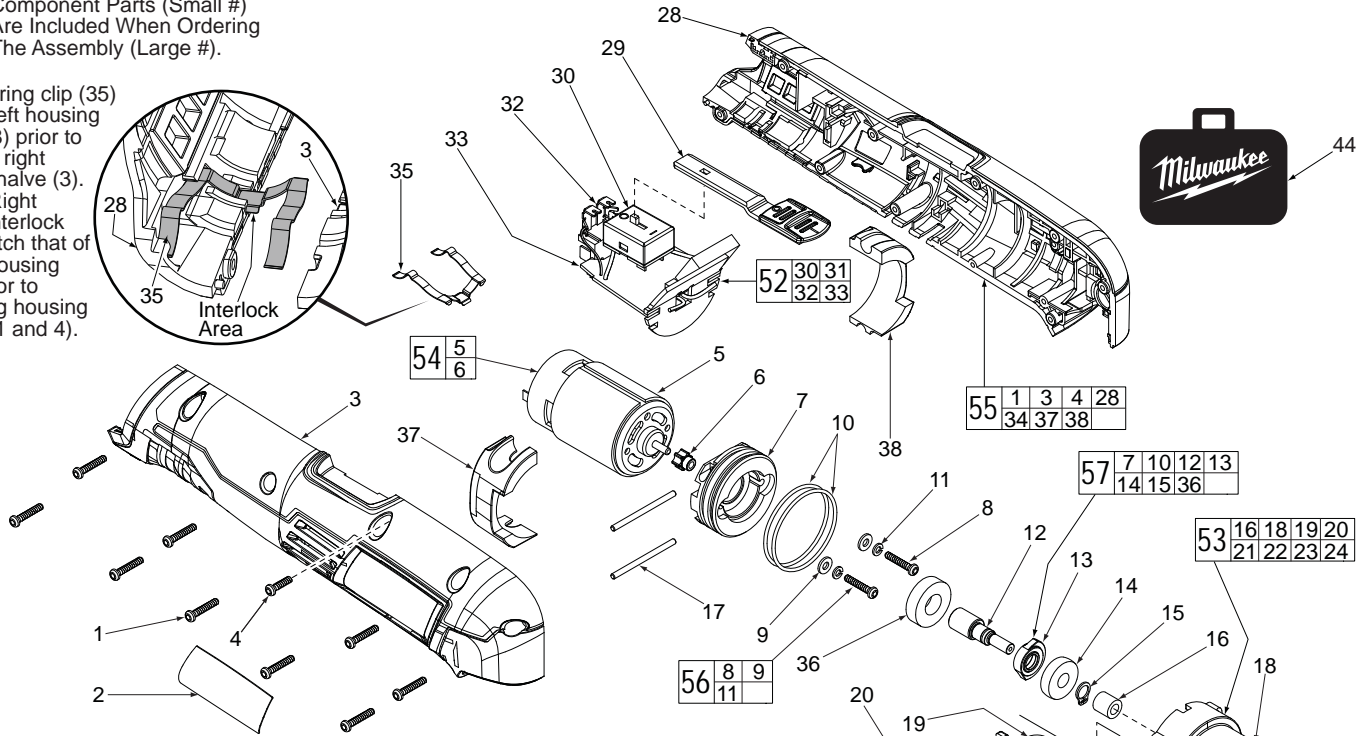
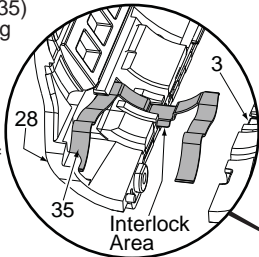


FIG.	PART NO.	DESCRIPTION OF PART	NO. REQ.
1	05-81-1325	M3.0 x 14mm Pan Hd. ST T-10 Screw	(11)
2	12-20-2426	Service Nameplate	(1)
3	-----	Housing Half - Right	(1)
4	06-82-2395	M2.6 x 10mm Pan Hd. ST T-9 Screw	(1)
5	-----	Motor	(1)
6	-----	Motor Pinion	(1)
7	-----	Mounting Plate	(1)
8	-----	M3.0 x 16mm Pan Hd. Screw	(2)
9	-----	Washer	(2)
10	34-40-0620	O-Ring	(2)
11	-----	Spring Washer	(2)
12	-----	Spline Shaft	(1)
13	-----	Counter Balance	(1)
14	-----	Ball Bearing	(1)
15	-----	Retaining Ring	(1)
16	-----	Needle Roller Bearing	(1)
17	06-65-0085	Pin	(2)
18	-----	Gearcase	(1)
19	-----	Needle Bearing	(1)
20	-----	Fork	(1)
21	-----	Ball Bearing	(1)
22	-----	Retaining Ring	(1)
23	-----	Output Shaft	(1)
24	-----	Bit Holder	(1)
25	42-04-0730	Adapter	(1)
26	42-92-1150	Blade Cover	(1)
27	05-81-1400	M6 x 1 x 22.6 Flat Hd. Hex Recess Screw	(1)
28	-----	Housing Half - Left	(1)
29	45-72-0250	Switch Trigger	(1)
30	-----	Switch	(1)
31	-----	Leadwire Assembly - Red (Not Shown)	(1)
32	-----	Contact Plate Holder	(1)
33	-----	PCBA	(1)
34	-----	Fuel Gauge Label (Not Shown)	(1)
35	42-70-0480	Spring Clip	(1)
36	-----	Ball Bearing	(1)
37	44-52-1015	Rubber Pad - Right	(1)
38	44-52-1010	Rubber Pad - Left	(1)
40	42-52-0475	Gearcase Cover	(1)
41	05-74-0900	M3.0 x 10mm Pan Hd. T-10 Screw	(2)
44	42-55-2426	Canvas Carrying Case	(1)
52	23-66-0915	Switch Assembly Kit	(1)
53	14-29-0675	Gearcase Assembly Kit	(1)
54	14-50-1020	Motor Assembly Kit	(1)

LUBRICATION NOTES:
Use Type 'J' Grease,
No. 49-08-4220

When servicing, remove 90-95%
of the existing grease prior to in-
stalling Type 'J'. Original grease
maybe similar in color but not
compatible with "J".

Apply a heavy coating of grease
to Motor Pinion (6) and Spline
Shaft (12). Approx. 0.5g

Place a heavy coating of grease
in and around the open Ball
Bearing (36). Approx. 1g

Fill back cavity of Gearcase (18)
with approx. 3.5g of grease.

Total of 5.0g (.17oz.)

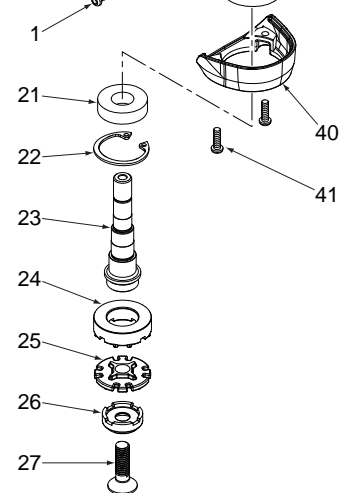
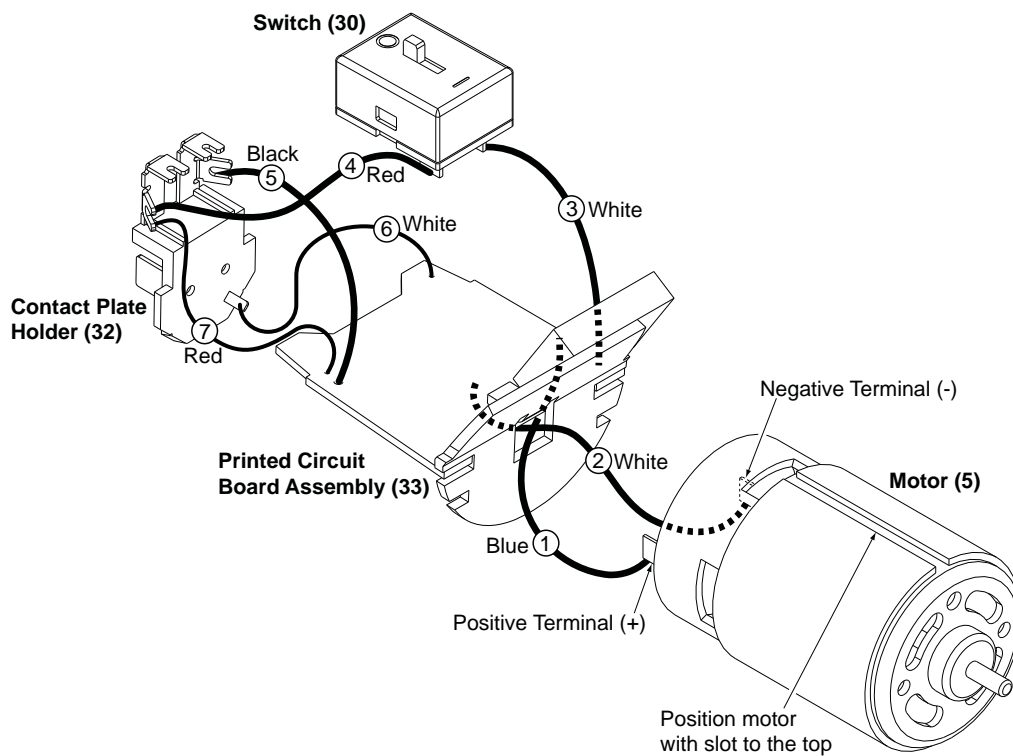
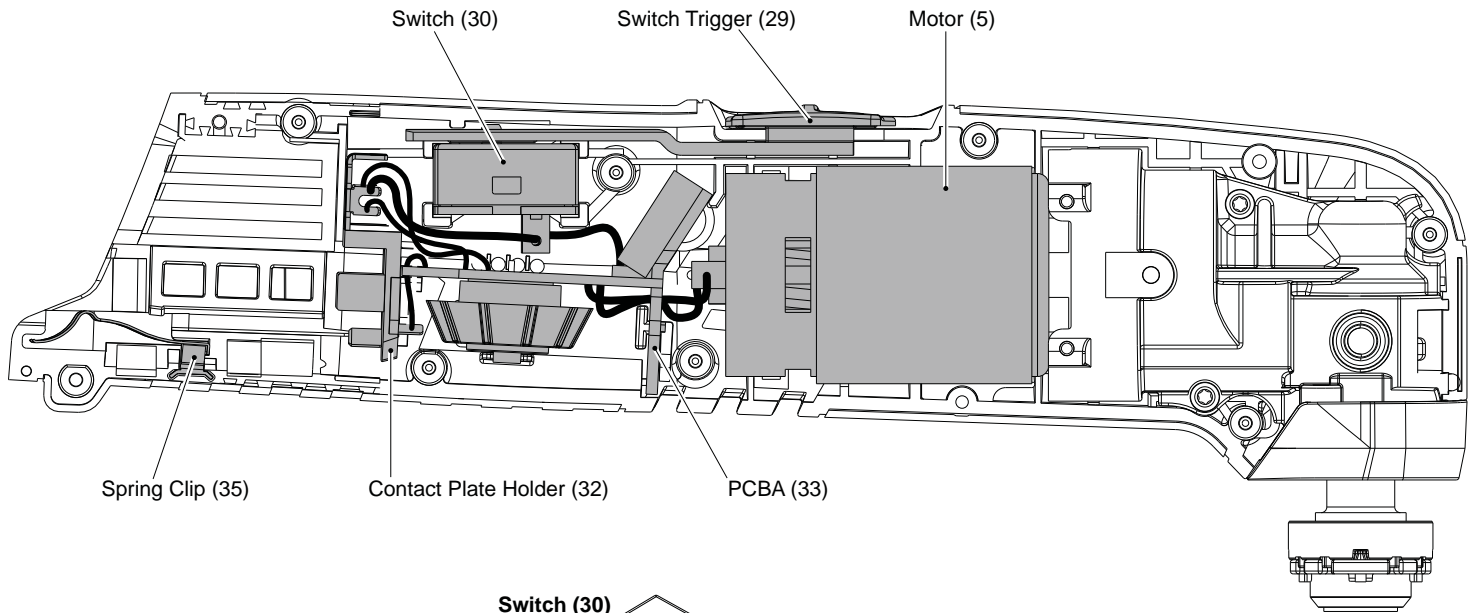


FIG.	PART NO.	DESCRIPTION OF PART	NO. REQ.
55	31-44-2570	Housing Half Assembly Kit	(1)
56	14-46-2426	Screw and Washer Kit	(1)
57	42-87-0200	Counter Balance Assembly Kit	(1)
	49-96-0500	Hex Key (Not Shown)	(1)
	10-20-2426	Warning Label (Not Shown)	(1)

FIG. NOTES

1,4 Hand tighten housing screws to prevent over tightening. Exercise caution when tightening screws if a cordless driver drill is used.

5,8 Apply Blue Loctite® 242 or equivalent, sparingly to the first two or three threads of screws (8) prior to assembling to motor (5).



WIRING SPECIFICATIONS

Wire No.	Wire Color	Origin or Gauge	Length	Terminals, Connectors and 1 or 2 End Wire Preparation
1	Blue	23-66-0915	-----	Component of the Switch Assembly Kit. Route from bottom of PCBA to (+) terminal on motor.
2	White	23-66-0915	-----	Component of the Switch Assembly Kit. Route from bottom of PCBA to (-) terminal on motor.
3	White	23-66-0915	-----	Component of the Switch Assembly Kit. Route from top of PCBA to switch as shown.
4	Red	23-66-0915	-----	Component of the Switch Assembly Kit. Route from contact plate holder to switch as shown.
5	Black	23-66-0915	-----	Component of the Switch Assembly Kit. Route from top of PCBA to contact plate holder.
6	White	23-66-0915	-----	Component of the Switch Assembly Kit. Route from top of PCBA to contact plate holder.
7	Red	23-66-0915	-----	Component of the Switch Assembly Kit. Route from top of PCBA to contact plate holder.