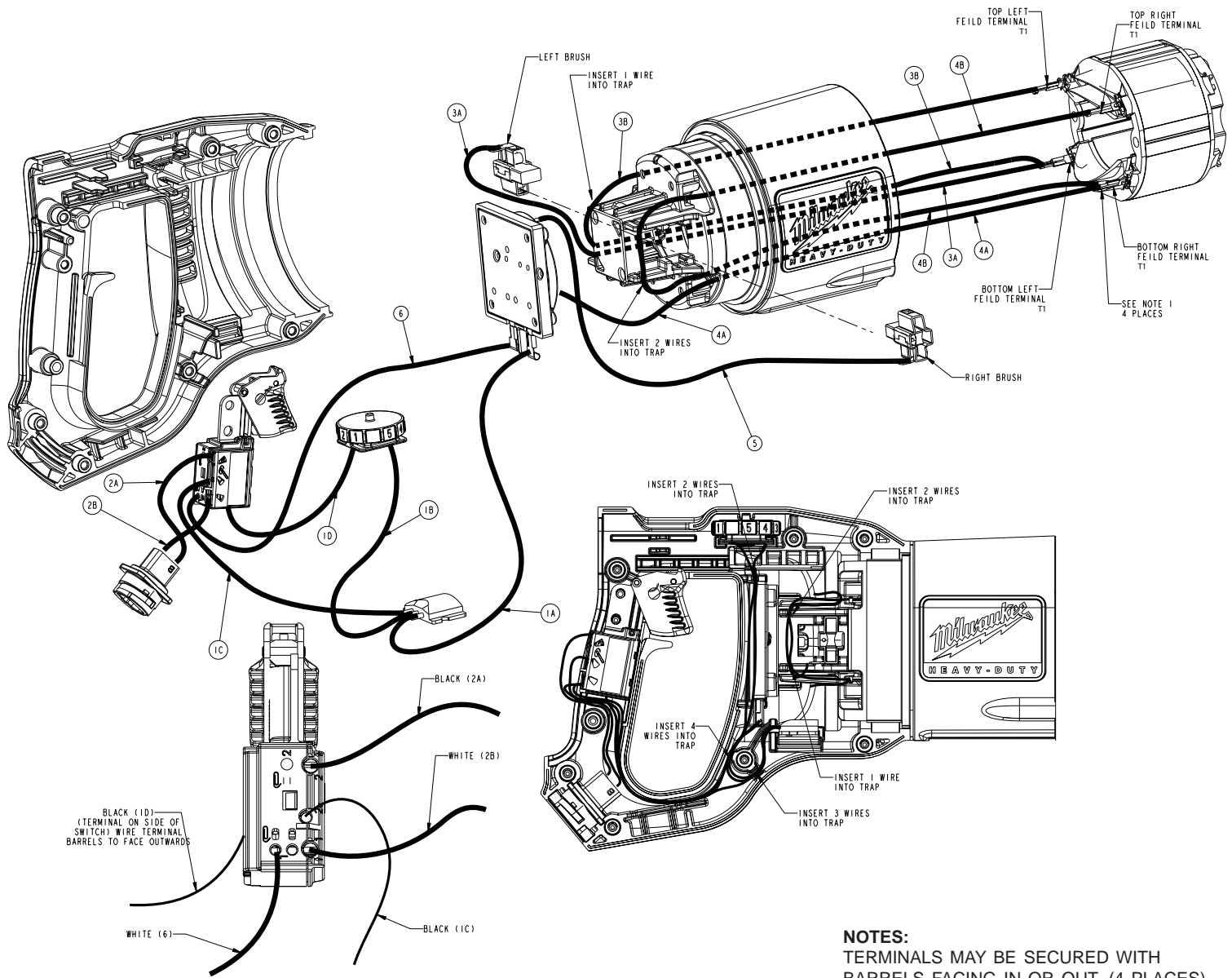


WIRING INSTRUCTIONS

TITLE	SAWZALL®	BULLETIN
MILWAUKEE ELECTRIC TOOL CORP. 13135 WEST LISBON RD. BROOKFIELD, WIS.	DATE June 2007	58-01-0066



NOTES:
TERMINALS MAY BE SECURED WITH BARRELS FACING IN OR OUT. (4 PLACES).

WIRING SPECIFICATIONS

Wire No.	Wire Color	Origin or Part No.	Length	Terminals, Connectors and End Wire Preparation
1A	Black	14-20-1091	---	Component of Remote Dial Assy.
1B	Black	14-20-1091	---	Component of Remote Dial Assy.
1C	Black	14-20-1091	---	Component of Remote Dial Assy.
1D	Black	14-20-1091	---	Component of Remote Dial Assy.
2A	Black	22-56-0705	---	Component of the Blade Housing Assembly.
2B	White	22-56-0705	---	Component of the Blade Housing Assembly.
3C	White	23-94-7400	---	Leadwire Assembly
3D	White	23-94-7400	---	Leadwire Assembly
4A	Black	23-94-7405	---	Leadwire Assembly
4B	Black	23-94-7405	---	Leadwire Assembly
5	Black	23-94-7410	---	Leadwire Assembly
6	White	23-94-7420	---	Leadwire Assembly

NOTE:
All leads must be held to ± 1/8".
All lead lengths are before stripping.

TERMINAL DESCRIPTION

Code	Part No.	Qty.
T1	23-74-1060	4
T2	23-74-0750	2
T3	23-74-0900	1
T4	23-74-0605	3
T5	23-74-0017	1

BULK LEAD WIRE - BULLETIN 58-01-0003