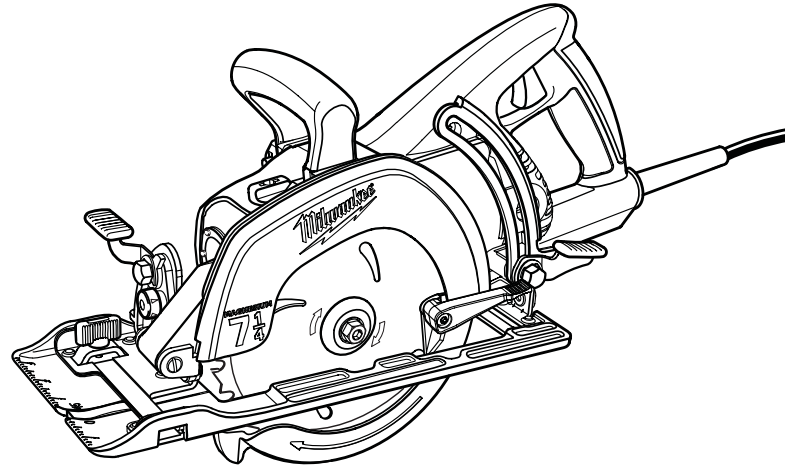




**OPERATOR'S MANUAL
MANUEL de L'UTILISATEUR
MANUAL del OPERADOR**

**Cat. No.
No de cat.
6477-20
6577-20**



**HEAVY-DUTY WORM DRIVE SAWS
SCIES INDUSTRIELLES À VIS SANS FIN
SIERRAS ACCIONADAS POR TORNILLO SIN FIN PARA
SERVICIO PESADO**

***TO REDUCE THE RISK OF INJURY, USER MUST READ OPERATOR'S MANUAL.
AFIN DE RÉDUIRE LE RISQUE DE BLESSURES, L'UTILISATEUR DOIT LIRE LE
MANUEL DE L'UTILISATEUR.
PARA REDUCIR EL RIESGO DE LESIONES, EL USUARIO DEBE LEER EL MANUAL
DEL OPERADOR.***

GENERAL SAFETY RULES — FOR ALL POWER TOOLS



WARNING

READ ALL INSTRUCTIONS

Failure to follow all instructions listed below may result in electric shock, fire and/or serious injury. The term “power tool” in all of the warnings listed below refers to your mains-operated (corded) power tool or battery-operated (cordless) power tool.

SAVE THESE INSTRUCTIONS

WORK AREA SAFETY

1. **Keep work area clean and well lit.** Cluttered or dark areas invite accidents.
2. **Do not operate power tools in explosive atmospheres, such as in the presence of flammable liquids, gases, or dust.** Power tools create sparks which may ignite the dust or fumes.
3. **Keep children and bystanders away while operating a power tool.** Distractions can cause you to lose control.

ELECTRICAL SAFETY

4. **Power tool plugs must match the outlet. Never modify the plug in any way. Do not use any adapter plugs with earthed (grounded) power tools.** Unmodified plugs and matching outlets will reduce risk of electric shock.
5. **Avoid body contact with earthed or grounded surfaces such as pipes, radiators, ranges and refrigerators.** There is an increased risk of electric shock if your body is earthed or grounded.
6. **Do not expose power tools to rain or wet conditions.** Water entering a power tool will increase the risk of electric shock.
7. **Do not abuse the cord. Never use the cord for carrying, pulling, or unplugging the power tool. Keep cord away from heat, oil, sharp edges, or moving parts.** Damaged or entangled cords increase the risk of electric shock.
8. **When operating a power tool outdoors, use an extension cord suitable for outdoor use.** Use of a cord suitable for outdoor use reduces the risk of electric shock.

PERSONAL SAFETY

9. **Stay alert, watch what you are doing and use common sense when operating a power tool. Do not use a power tool while you are tired or under the influence of drugs, alcohol or medication.** A moment of inattention while operating power tools may result in serious personal injury.
10. **Use safety equipment. Always wear eye protection.** Safety equipment such as dust mask, non-skid safety shoes, hard hat, or hearing protection used for appropriate conditions will reduce personal injuries.
11. **Avoid accidental starting. Ensure the switch is in the off-position before plugging in.** Carrying tools with your finger on the switch or plugging in power tools that have the switch on invites accidents.
12. **Remove any adjusting key or wrench before turning the power tool on.** A wrench or a key left attached to a rotating part of the power tool may result in personal injury.
13. **Do not overreach. Keep proper footing and balance at all times.** This enables better control of the power tool in unexpected situations.
14. **Dress properly. Do not wear loose clothing or jewellery. Keep your hair, clothing and gloves away from moving parts.** Loose clothes, jewellery, or long hair can be caught in moving parts.
15. **If devices are provided for the connection of dust extraction and collection facilities, ensure these are connected and properly used.** Use of these devices can reduce dust-related hazards.

POWER TOOL USE AND CARE

16. **Do not force the power tool. Use the correct power tool for your application.** The correct power tool will do the job better and safer at the rate for which it was designed.
17. **Do not use the power tool if the switch does not turn it on and off.** Any power tool that cannot be controlled with the switch is dangerous and must be repaired.
18. **Disconnect the plug from the power source and/or the battery pack from the power tool before making any adjustments, changing accessories, or storing power tools.** Such preventive safety measures reduce the risk of starting the tool accidentally.
19. **Store idle power tools out of the reach of children and do not allow persons unfamiliar with the power tools or these instructions to operate power tools.** Power tools are dangerous in the hands of untrained users.
20. **Maintain power tools. Check for misalignment or binding of moving parts, breakage of parts and any other condition that may affect the power tool's operation. If damaged, have the power tool repaired before use.** Many accidents are caused by poorly maintained power tools.
21. **Keep cutting tools sharp and clean.** Properly maintained cutting tools with sharp cutting edges are less likely to bind and are easier to control.
22. **Use the power tool, accessories and tool bits etc., in accordance with these instructions and in the manner intended for the particular type of power tool, taking into account the working conditions and the work to be performed.** Use of the power tool for operations different from those intended could result in a hazardous situation.

SERVICE

23. **Have your power tool serviced by a qualified repair person using only identical replacement parts.** This will ensure that the safety of the power tool is maintained.

SPECIFIC SAFETY RULES

DANGER:

1. **Keep hands away from cutting area and the blade. Keep your second hand on auxiliary handle, or motor housing.** If both hands are holding the saw, they cannot be cut by the blade.
2. **Do not reach underneath the workpiece.** The guard cannot protect you from the blade below the workpiece.
3. **Adjust the cutting depth to the thickness of the workpiece.** Less than a full tooth of the blade teeth should be visible below the workpiece.
4. **Never hold piece being cut in your hands or across your leg. Secure the workpiece to a stable platform.** It is important to support the work properly to minimize body exposure, blade binding, or loss of control.
5. **Hold power tools by insulated gripping surfaces when performing an operation where the cutting tool may contact hidden wiring or its own cord.** Contact with a “live” wire will make exposed metal parts of the tool “live” and shock the operator.
6. **When ripping always use a rip fence or straight edge guide.** This improves the accuracy of cut and reduces the chance of blade binding.
7. **Always use blades with correct size and shape (diamond versus round) of arbour holes.** Blades that do not match the mounting hardware of the saw will run eccentrically, causing loss of control.
8. **Never use damaged or incorrect blade washers or bolt.** The blade washers and bolt were specially designed for your saw, for optimum performance and safety of operation.
9. Causes and Operator Prevention of Kick-back:

KICKBACK is a sudden reaction to a pinched, bound or misaligned saw blade, causing an uncontrolled saw to lift up and out of the workpiece toward the operator.

When the blade is pinched or bound tightly by the kerf closing down, the blade stalls and the motor reaction drives the unit rapidly back toward the operator.

If the blade becomes twisted or misaligned in the cut, the teeth at the back edge of the blade can dig into the top surface of the wood causing the blade to climb out of the kerf and jump back toward the operator.

Kickback is the result of saw misuse and/or incorrect operating procedures or conditions and can be avoided by taking proper precautions as given below:

- a. **Maintain a firm grip with both hands on the saw and position your arms to resist kickback forces. Position your body to either side of the blade, but not in line with the blade.** Kickback could cause the saw to jump backwards, but kickback forces can be controlled by the operator, if proper precautions are taken.
- b. **When blade is binding, or when interrupting a cut for any reason, release the trigger and hold the saw motionless in the material until the blade comes to a complete stop. Never attempt to remove the saw from the work or pull the saw backward while the blade is in motion or kickback may occur.** Investigate and take corrective actions to eliminate the cause of blade binding.
- c. **When restarting a saw in the workpiece, centre the saw blade in the kerf and check that saw teeth are not engaged into the material.** If saw blade is binding, it may walk up or kickback from the workpiece as the saw is restarted.
- d. **Support large panels to minimise the risk of blade pinching and kickback.** Large panels tend to sag under their own weight. Supports must be placed under the panel on both sides, near the line of cut and near the edge of the panel.
- e. **Do not use dull or damaged blades.** Unsharpened or improperly set blades produce narrow kerf causing excessive friction, blade binding and kickback.
- f. **Blade depth and bevel adjusting locking levers must be tight and secure before making cut.** If blade adjustment shifts while cutting, it may cause binding and kickback.
- g. **Use extra caution when making a “plunge cut” into existing walls or other blind areas.** The protruding blade may cut objects that can cause kickback.
10. **Check lower guard for proper closing before each use. Do not operate the saw if lower guard does not move freely and close instantly. Never clamp or tie the lower guard into the open position.** If saw is accidentally dropped, lower guard may be bent.

Raise the lower guard with the retracting handle and make sure it moves freely and does not touch the blade or any other part, in all angles and depths of cut.

11. **Check the operation of the lower guard spring. If the guard and the spring are not operating properly, they must be serviced before use.** Lower guard may operate sluggishly due to damaged parts, gummy deposits, or a build-up of debris.
12. **Lower guard should be retracted manually only for special cuts such as “plunge cuts” and “compound cuts.”** Raise lower guard by retracting handle and as soon as blade enters the material, the lower guard must be released. For all other sawing, the lower guard should operate automatically.
13. **Always observe that the lower guard is covering the blade before placing saw down on bench or floor.** An unprotected, coasting blade will cause the saw to walk backwards, cutting whatever is in its path. Be aware of the time it takes for the blade to stop after switch is released.
14. **Do not use abrasive wheels with circular saws.** Dust and grit can cause lower guard to hang up and not operate properly.
15. **Maintain labels and nameplates.** These carry important information. If unreadable or missing, contact a MILWAUKEE service facility for a free replacement.
16. **WARNING:** Some dust created by power sanding, sawing, grinding, drilling, and other construction activities contains chemicals known to cause cancer, birth defects or other reproductive harm. Some examples of these chemicals are:
 - lead from lead-based paint
 - crystalline silica from bricks and cement and other masonry products, and
 - arsenic and chromium from chemically-treated lumber.
 Your risk from these exposures varies, depending on how often you do this type of work. To reduce your exposure to these chemicals: work in a well ventilated area, and work with approved safety equipment, such as those dust masks that are specifically designed to filter out microscopic particles.

GROUNDING



WARNING

Improperly connecting the grounding wire can result in the risk of electric shock. Check with a qualified electrician if you are in doubt as to whether the outlet is properly grounded. Do not modify the plug provided with the tool. Never remove the grounding prong from the plug. Do not use the tool if the cord or plug is damaged. If damaged, have it repaired by a MILWAUKEE service facility before use. If the plug will not fit the outlet, have a proper outlet installed by a qualified electrician.

Some models are provided with a 20 amp locking plug (NEMA L5-20).

Grounded Tools: Tools with Three Prong Plugs

Tools marked “Grounding Required” have a three wire cord and three prong grounding plug. The plug must be connected to a properly grounded outlet (See Figures A and B). If the tool should electrically malfunction or break down, grounding provides a low resistance path to carry electricity away from the user, reducing the risk of electric shock.

The grounding prong in the plug is connected through the green wire inside the cord to the grounding system in the tool. The green wire in the cord must be the only wire connected to the tool’s grounding system and must never be attached to an electrically “live” terminal.

Your tool must be plugged into an appropriate outlet, properly installed and grounded in accordance with all codes and ordinances. The plug and outlet should look like those in Figures A and B.

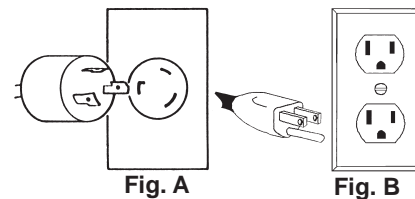


Fig. A

Fig. B

Double Insulated Tools: Tools with Two Prong Plugs

Tools marked “Double Insulated” do not require grounding. They have a special double insulation system which satisfies OSHA requirements and complies with the applicable standards of Underwriters Laboratories, Inc., the Canadian Standard Association and the National Electrical Code. Double Insulated tools may be used in either of the 120 volt outlets shown in Figures C and D.

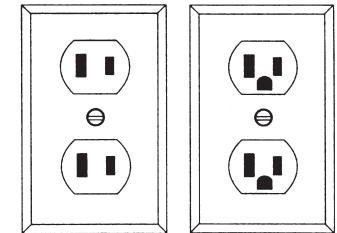


Fig. C

Fig. D

EXTENSION CORDS

Grounded tools require a three wire extension cord. Double insulated tools can use either a two or three wire extension cord. As the distance from the supply outlet increases, you must use a heavier gauge extension cord. Using extension cords with inadequately sized wire causes a serious drop in voltage, resulting in loss of power and possible tool damage. Refer to the table shown to determine the required minimum wire size.

The smaller the gauge number of the wire, the greater the capacity of the cord. For example, a 14 gauge cord can carry a higher current than a 16 gauge cord. When using more than one extension cord to make up the total length, be sure each cord contains at least the minimum wire size required. If you are using one extension cord for more than one tool, add the nameplate amperes and use the sum to determine the required minimum wire size.

Guidelines for Using Extension Cords

- If you are using an extension cord outdoors, be sure it is marked with the suffix "W-A" ("W" in Canada) to indicate that it is acceptable for outdoor use.

- Be sure your extension cord is properly wired and in good electrical condition. Always replace a damaged extension cord or have it repaired by a qualified person before using it.
- Protect your extension cords from sharp objects, excessive heat and damp or wet areas.

Recommended Minimum Wire Gauge for Extension Cords*

Nameplate Amperes	Extension Cord Length				
	25'	50'	75'	100'	150'
0 - 2.0	18	18	18	18	16
2.1 - 3.4	18	18	18	16	14
3.5 - 5.0	18	18	16	14	12
5.1 - 7.0	18	16	14	12	12
7.1 - 12.0	16	14	12	10	
12.1 - 16.0	14	12	10		
16.1 - 20.0	12	10			




* Based on limiting the line voltage drop to five volts at 150% of the rated amperes.

READ AND SAVE ALL INSTRUCTIONS FOR FUTURE USE.

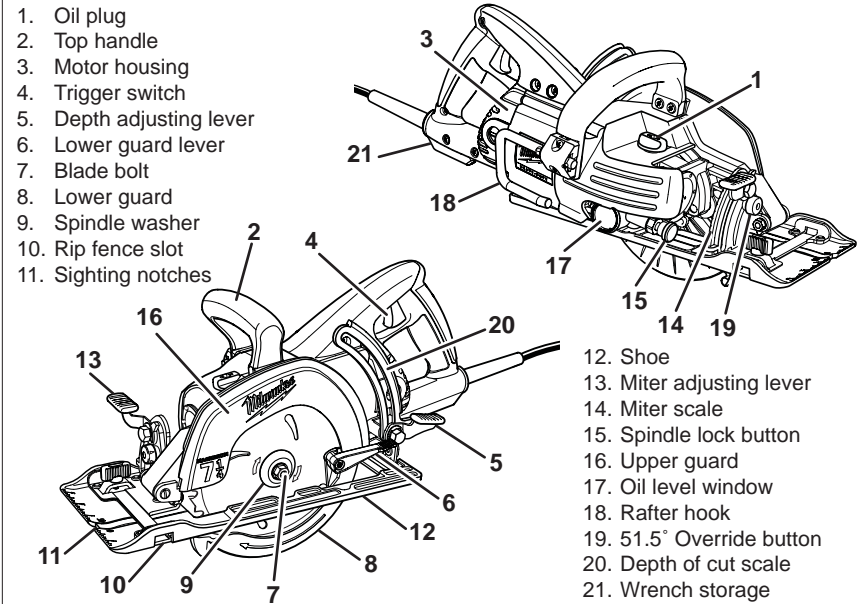
Specifications

Cat. No.	Blade Size	Volts AC	No Load RPM	Arbor	Max Cutting Depth at 90°	Max Cutting Depth at 51.5°
6477-20 6577-20	7-1/4"	120	4,400	Diamond	0 to 2-3/8"	0 to 1-1/2"

Symbology

	Double Insulated
	Underwriters Laboratories, Inc., United States and Canada
	Volts Alternating Current
n_0 xxxx /min.	No Load Revolutions per Minute (RPM)
A	Amps

FUNCTIONAL DESCRIPTION



TOOL ASSEMBLY



WARNING

To reduce the risk of injury, always unplug tool before attaching or removing accessories or making adjustments. Use only specifically recommended accessories. Others may be hazardous.




WARNING


Only use accessories with maximum speed rating at least as high as nameplate RPM of tool.

Fig. 1


Rip & Crosscut

 A multi-purpose blade for ripping, cross cutting and mitering in hardwoods, softwoods, plywood and composition materials.


Framing-Rip

 Designed for fast and accurate ripping along the grain in hard-or softwoods where a smooth cross cut is not necessary.

Plywood-Veneer

 Recommended for cutting plywood, composition materials and all types of wood where a slightly smoother finish is needed.

Finish & Trim

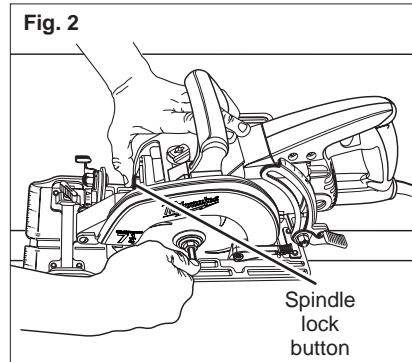
 Especially designed for cross cutting and mitering in materials where a very smooth cut is necessary. Also cuts aluminum.

Selecting Blade

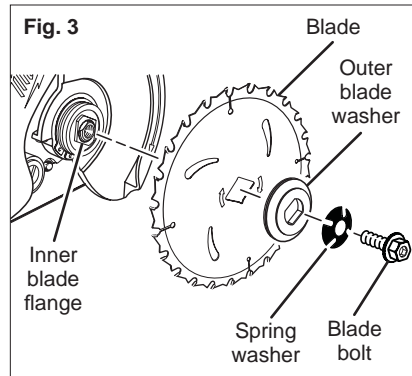
Always use sharp blades. Dull blades tend to overload the tool and increase the chance of kickback (see "Preventing Kickback"). A combination blade is included with your tool for general use in wood. Select the right blade for your job. Only use blades with diamond arbors, and read the manufacturer's instructions before use.

Installing Blade

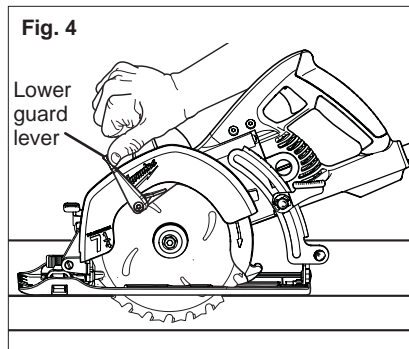
1. To remove blade bolt from spindle, push in spindle lock button (Fig. 2) while turning bolt clockwise with 6 mm hex wrench (provided with tool) until spindle locks. Remove outer blade washer and spring washer.



NOTE: Do not remove inner blade flange. Large diameter of inner flange (Fig. 3) should face the blade.



2. Push lower guard lever up to raise lower guard (Fig. 4). Place blade on spindle with teeth pointing the same direction as the arrow on lower guard. Release lower guard lever.



3. Place outer blade washer, spring washer, and blade bolt on spindle.
4. Push in spindle lock button while turning bolt counterclockwise with 6 mm hex wrench until spindle locks. Tighten bolt securely.
5. To remove blade, reverse the above steps. Always clean dirt and sawdust from spindle, washers, upper guard and lower guard after use.

Adjusting Depth

1. To adjust depth of cut, place saw on edge of workbench and pull up depth adjusting lever.
2. Keeping shoe flat against workbench, raise or lower saw to desired position. Lowering saw will increase depth of cut. Raising saw will decrease depth of cut. For proper depth setting, blade should extend no more than 1/4" below material being cut. Use the depth of cut scale for standard depths.
3. Push down depth adjusting lever to lock. Check to be sure depth adjusting lever is secure.

Adjusting Miter Angle

1. To adjust angle of cut, place saw on edge of workbench and pull up miter adjusting lever.
2. Hold down shoe and slide saw to desired position (up to 45°) according to markings on miter scale.
3. To increase the angle of cut up to 51.5°, push in the override button and tip the saw to the desired angle.
4. Push down miter lever to lock. Check angle with a square. Also check to be sure miter adjusting lever is secure before cutting.

OPERATION

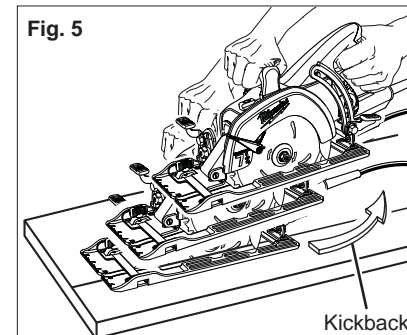


To reduce the risk of injury, wear safety goggles or glasses with side shields. Unplug the tool before changing accessories or making adjustments.

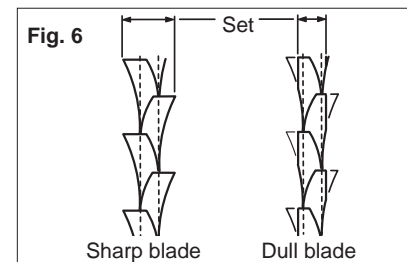
Preventing Kickback

Kickback is the sudden reaction to a pinched blade, which could cause a saw that is not under control to lift up and out of the workpiece towards the user. Take the precautions below to help prevent kickback.

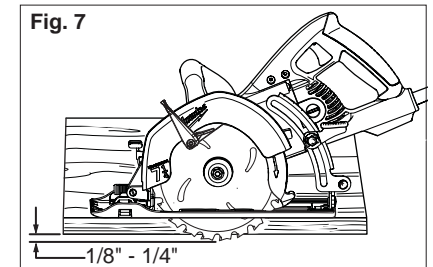
1. Maintain a firm grip and correct body position. Position arms and body to control the upward and backward reaction force of kickback (Fig. 5).



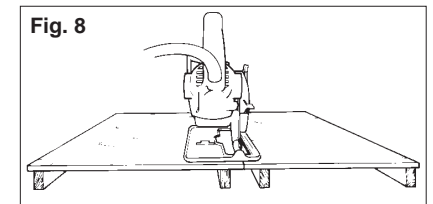
2. Keep blades sharp and clean. A sharp blade will tend to cut its way out of a pinching condition. A dull blade produces a narrow kerf (path cut by blade) and is likely to be pinched by the workpiece. Dull or pitch coated blades also tend to encourage the user to force the saw, causing reduced control and blade binding. Any blade with a small set, even though it is sharp, may be likely to kick back (Fig. 6).



3. Set the depth of cut for no more than 1/8" to 1/4" greater than the thickness of the stock (Fig. 7). The less blade exposed, the less chance of binding and kickback. Before cutting, be sure depth and miter adjustments are tight.

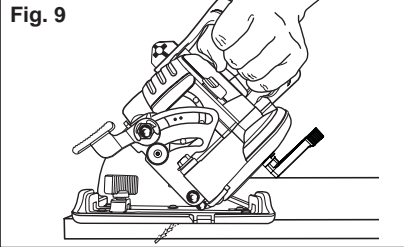


4. Be cautious of pitchy, knotty, wet or warped stock. These are most likely to create pinching conditions and possible kickback. Do not rip warped lumber. Avoid cutting nails.
5. Support workpiece properly. Improperly supported material can sag or bow, pinching the blade. When cutting down the center of your workpiece, support material on both sides of the cut. Large sheets of thin material such as paneling, formica, etc. must be well supported over their entire length (Fig. 8) (see "Cutting Large Panels"). When cutting the end off of your workpiece, rest the saw on the supported portion outside of the supports and allow the cut off end to fall away (see "General Operation").



6. Always allow blade to come to a full stop before removing the saw from the workpiece. Never remove the saw from a cut while the blade is moving. If restarting or correcting direction in mid-cut, allow blade to coast to a stop, back saw up a few inches and center it in the kerf before restarting.
7. Stay alert. Any distraction can cause twisting or binding. Repetitive cuts may lull the user into careless movements.

- Use care when making bevel cuts. Because of the increased amount of blade engagement with the work and decreased stability of the shoe when making bevel cuts, kickback may occur if improperly used. Keep shoe firmly against workpiece.



- Do not force tool. Forcing a saw reduces control and cutting efficiency.
- Use rip fence or edge guide when ripping. Guides improve control and reduce blade binding (see "Ripping Wood").

If kickback should occur, continue to grip the saw firmly and immediately release trigger.

General Operation

Always clamp workpiece securely on a saw horse or bench. See "Applications" for the correct way to support your work in different situations. A typical application is shown below.

- Draw cutting line. Place front of shoe on edge of workpiece without making blade contact. Hold switch handle with one hand and top handle with the other.
- Line up sighting notch with your cutting line. Position arms and body to resist kickback. Pull trigger, allowing motor to reach full speed before beginning cut.

Fig. 10

Tighten depth and miter adjusting levers securely

Set depth of cut 1/8"-1/4" greater than thickness of stock

Rest saw on larger part of workpiece, allowing smaller part to fall away

Secure workpiece to sturdy supports



Grip saw with both hands, keeping hands away from blade

Wear safety goggles

No loose clothing

Keep cord away from blade and kerf

Firm footing in clean area

- While cutting, keep shoe flat against workpiece and maintain a firm grip. Do not force saw through the work. Forcing a saw can cause kickback.
- If making a partial cut, restarting in mid-cut or correcting direction, allow blade to come to a complete stop. To resume cutting, center blade in kerf, back saw away from cutting edge a few inches, pull trigger and re-enter cut slowly.
- If saw stalls, maintain a firm grip and release trigger immediately. Correct problem before continuing (see "Preventing Kickback").
- After finishing a cut, be sure lower guard closes and blade comes to a complete stop before setting down saw.

Troubleshooting

If blade does not want to follow straight line:

- Teeth are dull on one side. This is caused by hitting a hard object such as a nail or stone, dulling teeth on one side. The blade wants to cut to the side with the sharpest teeth.
- Shoe is out of line or bent
- Blade is bent
- Failure to use rip fence or guide

If blade binds, smokes, or turns blue from friction:

- Blade is dull
- Blade is on backwards
- Blade is bent
- Blade is dirty
- Workpiece is not properly supported
- Failure to use correct blade

APPLICATIONS



WARNING

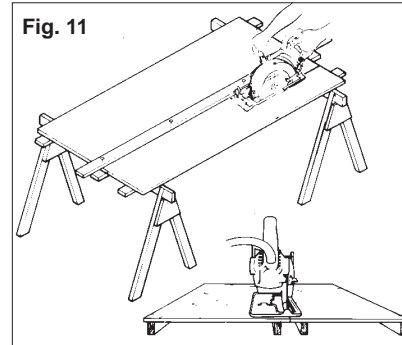
To reduce the risk of explosion, electric shock and property damage, always check the work area for hidden pipes and wires before drilling.

Cutting Large Panels

Large panels and long boards sag or bend if they are not correctly supported. If you attempt to cut without leveling and properly supporting the piece, the blade will tend to bind, causing kickback.

Support large panels. Be sure to set the depth of cut so that you cut through workpiece only and not through the supports.

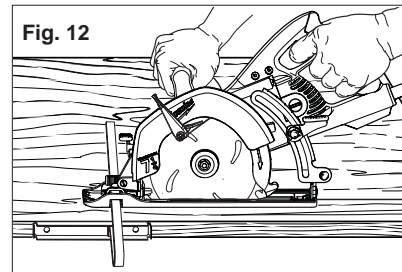
Fig. 11



Ripping Wood

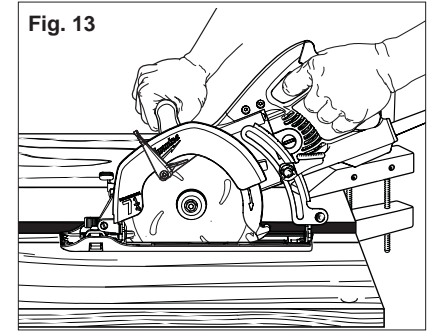
Ripping is cutting lengthwise with the grain. Select the proper blade for your job. Use a rip fence for rips 4" wide or less (Fig. 12). To install a rip fence, slide the bar through the rip fence slot in either side of the shoe. Adjust for desired width by lining up the selected measurement with the sighting notch and lock setting with thumb screw.

Fig. 12



When ripping widths greater than 4", clamp or tack 1" lumber to the workpiece as a guide (Fig. 13).

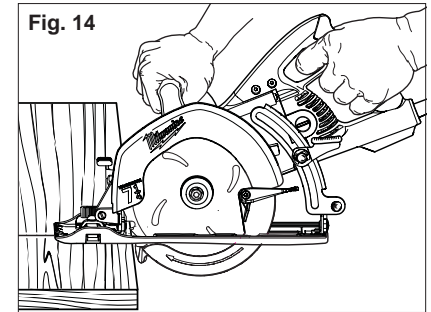
Fig. 13



Cross-Cutting Wood

Cross-cutting is cutting across the grain. Select the proper blade for your job. Advance saw slowly to avoid the tendency of wood fibers to tear and lift.

Fig. 14

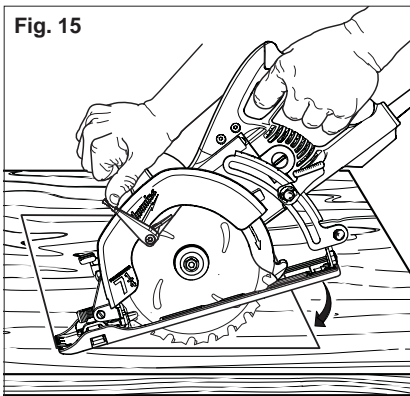


Pocket Cutting

Pocket cuts are made in the middle of the workpiece when it can not be cut from an edge. We recommend using a Sawzall® for this type of cut. However, if you must use a circular saw to make a pocket cut, USE EXTREME CAUTION.

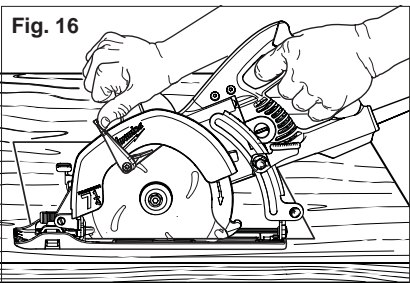
- Beginning at a corner, line up sighting notch with your cutting line. Tilt saw forward, firmly fixing front of shoe on workpiece. Blade should be just above cutting line, but not touching it. Raise lower guard using lower guard lever.
- Pull trigger. Allow the blade to come to full speed. Using front of shoe as a hinge point, gradually lower back end of saw into workpiece (Fig. 15).

Fig. 15



3. When shoe rests flat against workpiece (Fig. 16), move saw to far corner. Release trigger and allow blade to come to a complete stop before removing it from workpiece. Repeat the above steps for each side of the opening. Use a Sawzall®, jig saw, or small hand saw to finish corners if they are not completely cut through.

Fig. 16



Cutting Masonry and Metal

MILWAUKEE circular saws are not intended for continuous use in cutting metal or masonry. When cutting these materials, use the correct blade. MILWAUKEE does not recommend using bonded abrasive wheels on circular saws for any application.

WARNING

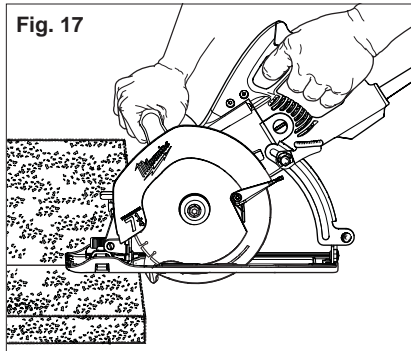
Dust, chips, and grit can cause guard to hang up at any time. If saw is used to cut masonry or metal, reserve and mark it for that purpose only and return it to a MILWAUKEE service facility for cleaning and testing before using it for wood cutting.

WARNING

Only use accessories with maximum speed rating at least as high as nameplate RPM of tool.

When cutting masonry, use a diamond blade. Make successive passes at depths of less than 1/4" to achieve the desired depth. Cutting at a depth of more than 1/4" will damage wheel. Unplug the tool and frequently clean dust from air vents and guards.

Fig. 17

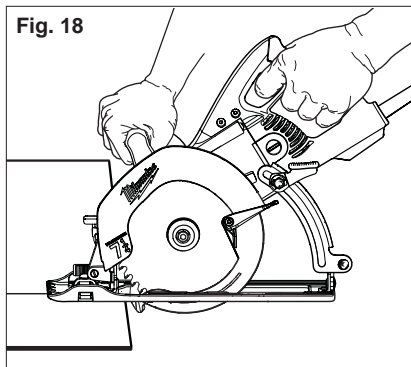


WARNING

Do not use tool for cutting metal near flammable material. Sparks may cause fire.

When cutting metal, use a metal cutting blade. Set depth of cut to full depth. Protect everyone in the area from sparks.

Fig. 18



MAINTENANCE

WARNING

To reduce the risk of injury, always unplug your tool before performing any maintenance. Never disassemble the tool or try to do any rewiring on the tool's electrical system. Contact a MILWAUKEE service facility for ALL repairs.

Maintaining Tools

Keep your tool in good repair by adopting a regular maintenance program. Before use, examine the general condition of your tool. Inspect guards, switches, tool cord set and extension cord for damage. Check for loose screws, misalignment, binding of moving parts, improper mounting, broken parts and any other condition that may affect its safe operation. If abnormal noise or vibration occurs, turn the tool off immediately and have the problem corrected before further use. Do not use a damaged tool. Tag damaged tools "DO NOT USE" until repaired (see "Repairs").

Under normal conditions, relubrication is not necessary until the motor brushes need to be replaced. After six months to one year, depending on use, return your tool to the nearest MILWAUKEE service facility for the following:

- Lubrication
- Brush inspection and replacement
- Mechanical inspection and cleaning (gears, spindles, bearings, housing, etc.)
- Electrical inspection (switch, cord, armature, etc.)
- Testing to assure proper mechanical and electrical operation

Maintaining Oil Level

Check oil level before use. To check level, set saw for maximum depth, rest it flat on its shoe and check oil level window. Oil level should be below max oil level line on tool (about 1/2 oz.).

If oil level is low:

1. Add oil by setting the saw on its shoe and removing the oil plug.
2. Pour oil into the chamber. DO NOT OVER FILL.
3. When the proper oil level is reached, replace oil plug.

MILWAUKEE oil is a synthetic oil specifically engineered for worm drive saws. Substitute oils may cause damage to the tool and be unsatisfactory in various temperatures. Check oil level frequently when using tool for extended periods. (Caution: Oil may be hot.)

WARNING

To reduce the risk of injury, electric shock and damage to the tool, never immerse your tool in liquid or allow a liquid to flow inside the tool.

Cleaning

Clean dust and debris from vents. Keep the tool handles clean, dry and free of oil or grease. Use only mild soap and a damp cloth to clean your tool since certain cleaning agents and solvents are harmful to plastics and other insulated parts. Some of these include: gasoline, turpentine, lacquer thinner, paint thinner, chlorinated cleaning solvents, ammonia and household detergents containing ammonia. Never use flammable or combustible solvents around tools.

Repairs

If your tool is damaged, return the entire tool to the nearest service center.

ACCESSORIES



WARNING

To reduce the risk of injury, always unplug the tool before attaching or removing accessories. Use only specifically recommended accessories. Others may be hazardous.

For a complete listing of accessories refer to your MILWAUKEE Electric Tool catalog or go on-line to www.milwaukeeetool.com. To obtain a catalog, contact your local distributor or a service center.

Rip Fence Kit

Cat. No. 50-09-1000

Steel Carrying Case

Cat. No. 48-55-1101

Worm Drive Saw Oil

Cat. No. 49-32-2600 - 1/2 pt.

Endurance™ Circular Saw Blades

Extra long life construction and finishing blades. See your MILWAUKEE Electric Tool catalog for a listing of blades.

FIVE YEAR TOOL LIMITED WARRANTY

Every MILWAUKEE electric power tool (including battery charger) is warranted to the original purchaser only to be free from defects in material and workmanship. Subject to certain exceptions, MILWAUKEE will repair or replace any part on a electric power tool which, after examination, is determined by MILWAUKEE to be defective in material or workmanship for a period of five (5) years* after the date of purchase. Return the electric power tool and a copy of proof of purchase to a MILWAUKEE factory Service/Sales Support Branch location or MILWAUKEE Authorized Service Station, freight prepaid and insured, are requested for this warranty to be effective. This warranty does not apply to damage that MILWAUKEE determines to be from repairs made or attempted by anyone other than MILWAUKEE authorized personnel, misuse, alterations, abuse, normal wear and tear, lack of maintenance, or accidents.

* The warranty period for Hoists (lever, hand chain, & electric chain hoists), all Ni-CD battery packs, Work Lights (cordless flashlights), Job Site Radios, and Trade Titan™ Industrial Work Carts is one (1) year from the date of purchase. *The warranty period for Li-Ion battery packs that do not contain V™-technology – 4.0 volts through 18.0 volts - is two (2) years from the date of purchase.

*There is a separate warranty for V™-technology Li-Ion Battery Packs V™18 volts and above that accompany V™-technology cordless power tools:

*Every MILWAUKEE V™-technology Li-Ion Battery Pack 18 volts or above is covered by an initial 1000 Charges/2 Years free replacement warranty. This means that for the earlier of the first 1000 charges or two (2) years from the date of purchase/first charge, a replacement battery will be provided to the customer for any defective battery free of charge. Thereafter, customers will also receive an additional warranty on a pro rata basis up to the earlier of the first 2000 charges or five (5) Years from the date of purchase/first charge. This means that every customer gets an additional 1000 charges or three (3) years of pro rata warranty on the V™-technology Li-Ion Battery Pack 18 volts or above depending upon the amount of use. During this additional warranty period, the customer pays for only the useable service received over and above the first 1000 Charges/2 years, based on the date of first charge and number of charges found on the battery pack via Milwaukee's V™-technology Service Reader.

Warranty Registration is not necessary to obtain the applicable warranty on a MILWAUKEE product. However, proof of purchase in the form of a sales receipt or other information deemed sufficient by MILWAUKEE, is requested.

ACCEPTANCE OF THE EXCLUSIVE REPAIR AND REPLACEMENT REMEDIES DESCRIBED HEREIN IS A CONDITION OF THE CONTRACT FOR THE PURCHASE OF EVERY MILWAUKEE PRODUCT. IF YOU DO NOT AGREE TO THIS CONDITION, YOU SHOULD NOT PURCHASE THE PRODUCT. IN NO EVENT SHALL MILWAUKEE BE LIABLE FOR ANY INCIDENTAL, SPECIAL, CONSEQUENTIAL OR PUNITIVE DAMAGES, OR FOR ANY COSTS, ATTORNEY FEES, EXPENSES, LOSSES OR DELAYS ALLEGED TO BE AS A CONSEQUENCE OF ANY DAMAGE TO, FAILURE OF, OR DEFECT IN ANY PRODUCT INCLUDING, BUT NOT LIMITED TO, ANY CLAIMS FOR LOSS OF PROFITS. THIS WARRANTY IS EXCLUSIVE AND IN LIEU OF ALL OTHER WARRANTIES OR CONDITIONS, WRITTEN OR ORAL, EXPRESSED OR IMPLIED. WITHOUT LIMITING THE GENERALITY OF THE FOREGOING, MILWAUKEE DISCLAIMS ANY IMPLIED WARRANTY OF MERCHANTABILITY OR FITNESS FOR A PARTICULAR USE OR PURPOSE, AND ALL OTHER WARRANTIES.

This warranty applies to product sold in the U.S.A., Canada and Mexico only.

RÈGLES GÉNÉRALES DE SÉCURITÉ POUR LES OUTILS ÉLECTRIQUE



AVERTISSEMENT

LIRE SOIGNEUSEMENT TOUTES LES INSTRUCTIONS

Le non respect des instructions ci-après peut entraîner des chocs électriques, des incendies et/ou des blessures graves. Le terme «outil électrique» figurant dans les avertissements ci-dessous renvoie à l'outil électrique à alimentation par le réseau (à cordon) ou par batterie (sans fil).

CONSERVER CES INSTRUCTIONS

SÉCURITÉ DU LIEU DE TRAVAIL

1. **Maintenir la zone de travail propre et bien éclairée.** Les zones encombrées ou mal éclairées sont favorables aux accidents.
2. **Ne pas utiliser d'outil électrique dans une atmosphère explosive, telle qu'en présence de liquides, de gaz ou de poussières inflammables.** Les outils électriques génèrent des étincelles qui peuvent enflammer les poussières ou les fumées.
3. **Tenir les enfants et les personnes non autorisées à l'écart pendant le fonctionnement d'un outil électrique.** Un manque d'attention de l'opérateur risque de lui faire perdre le contrôle de l'outil.

SÉCURITÉ ÉLECTRIQUE

4. **La fiche de l'outil électrique doit correspondre à la prise d'alimentation. Ne jamais modifier la fiche d'une manière quelconque. Ne pas utiliser d'adaptateur avec les outils électriques mis à la terre (à la masse).** Des fiches non modifiées et des prises d'alimentation assorties réduisent le risque de choc électrique.
5. **Éviter tout contact corporel avec des surfaces reliées à la masse ou à la terre telles que tuyaux, radiateurs, cuisinières et réfrigérateurs.** Un risque de choc électrique plus élevé existe si le corps est relié à la masse ou à la terre.
6. **Ne pas exposer les outils électriques à la pluie ou à l'humidité.** Le risque de choc électrique augmente si de l'eau s'infiltré dans un outil électrique.

7. **Prendre soin du cordon. Ne jamais utiliser le cordon pour transporter, tirer ou débrancher l'outil électrique. Tenir le cordon à l'écart de la chaleur, des huiles, des arêtes coupantes ou des pièces en mouvement.** Un cordon endommagé ou emmêlé présente un risque accru de choc électrique.
8. **Se procurer un cordon d'alimentation approprié en cas d'utilisation d'un outil électrique à l'extérieur.** L'utilisation d'un cordon d'alimentation pour usage extérieur réduit le risque de choc électrique.

SÉCURITÉ INDIVIDUELLE

9. **Être sur ses gardes, être attentif et faire preuve de bon sens en utilisant un outil électrique. Ne pas utiliser un outil électrique en cas de fatigue ou sous l'influence de drogues, d'alcool ou de médicaments.** Un instant d'inattention lors de l'utilisation d'un outil électrique peut entraîner des blessures graves.
10. **Utiliser un équipement de sécurité. Toujours porter des lunettes de protection.** Un équipement de sécurité comprenant masque anti-poussière, chaussures de sécurité anti-dérapantes, casque ou dispositif de protection anti-bruit peut, dans les circonstances appropriées, réduire le risque de blessure.
11. **Éviter tout démarrage accidentel de l'outil. S'assurer que le commutateur est en position OFF (Arrêt) avant de brancher l'outil.** Le port de l'outil avec un doigt sur le commutateur ou son branchement avec le commutateur en position ON (Marche) sont favorables aux accidents.

12. **Retirer toute clé de réglage avant de mettre l'outil sous tension.** Une clé laissée attachée sur une pièce mobile de l'outil électrique peut entraîner des blessures.
13. **Ne pas travailler à bout de bras. Bien garder un bon équilibre à tout instant.** Ceci permet de mieux préserver la maîtrise de l'outil électrique dans des situations imprévues.
14. **Porter des vêtements adéquats. Ne pas porter de vêtements amples ni de bijoux. Ne pas approcher les cheveux, vêtements et gants des pièces en mouvement.** Les vêtements amples, les bijoux ou les cheveux longs risquent d'être happés par les pièces en mouvement.
15. **Si des dispositifs sont prévus pour l'extraction et la récupération des poussières, vérifier qu'ils sont connectés et utilisés correctement.** L'utilisation de ces dispositifs peut réduire les risques liés aux poussières.

UTILISATION ET ENTRETIEN DE L'OUTIL ÉLECTRIQUE

16. **Ne pas forcer l'outil électrique. Utiliser l'outil électrique approprié à l'application considérée.** L'outil électrique adapté au projet considéré produira de meilleurs résultats, dans des conditions de sécurité meilleures, à la vitesse pour laquelle il a été conçu.
17. **Ne pas utiliser l'outil électrique si le commutateur ne le met pas sous ou hors tension.** Tout outil électrique dont le commutateur de marche-arrêt est inopérant est dangereux et doit être réparé.
18. **Débrancher la fiche de la prise d'alimentation et/ou la batterie de l'outil électrique avant d'effectuer des réglages, de changer d'accessoires ou de ranger l'outil.** De telles mesures de sécurité préventive réduisent le risque de mettre l'outil en marche accidentellement.
19. **Ranger les outils électriques inutilisés hors de la portée des enfants et ne pas laisser des personnes qui connaissent mal les outils électriques ou ces instructions utiliser ces outils.** Les outils électriques sont dangereux dans les mains d'utilisateurs non formés à leur usage.

20. **Entretien des outils électriques. S'assurer de l'absence de tout désalignement ou de grippage des pièces mobiles, de toute rupture de pièce ou de toute autre condition qui pourrait affecter le bon fonctionnement de l'outil électrique. En cas de dommages, faire réparer l'outil avant de l'utiliser de nouveau.** Les outils électriques mal entretenus sont à la source de nombreux accidents.
21. **Garder les outils de coupe affûtés et propres.** Les outils de coupe correctement entretenus et bien affûtés risquent moins de se gripper et sont plus faciles à manier.
22. **Utiliser cet outil électrique, les accessoires, les mèches, etc. conformément à ces instructions et de la façon prévue pour ce type particulier d'outil électrique, tout en prenant en compte les conditions de travail et le type de projet considérés.** L'utilisation de cet outil électrique pour un usage autre que l'usage prévu peut créer des situations dangereuses.

ENTRETIEN

23. **Faire effectuer l'entretien de l'outil électrique par un technicien qualifié qui n'utilisera que des pièces de rechange identiques.** La sécurité d'utilisation de l'outil en sera préservée.

RÈGLES DE SÉCURITÉ PARTICULIÈRE

DANGER!:

1. **Garder les mains à l'écart de la zone de coupe et de la lame. Maintenir l'autre main sur la poignée auxiliaire ou sur le carter du moteur.** Si les deux mains tiennent la scie, elles ne peuvent pas être coupées par la lame.
2. **Ne pas tendre la main vers le dessous de pièce de travail.** Le garant n'offre aucune protection contre la lame sous la pièce de travail.
3. **Régler la profondeur de coupe en fonction de l'épaisseur de la pièce de travail.** Moins d'une dent complète des dents de la lame doit être visible sous la pièce de travail.

4. **NE JAMAIS maintenir la pièce dont la coupe est en cours avec les mains ou contre la jambe. Fixer la pièce de travail à une plate-forme stable.** Il est important de supporter correctement la pièce pour minimiser l'exposition du corps, le grippage de la lame ou la perte de contrôle de cette dernière.
5. **Tenir l'outil par les surfaces de prise isolées si, au cours des travaux, l'outil de coupe risque d'entrer en contact avec des fils cachés ou avec son propre cordon.** Le contact avec un fil sous tension met les parties métalliques exposées de l'outil sous tension, ce qui infligera un choc électrique à l'opérateur.
6. **Lors du sciage en long, toujours utiliser un guide longitudinal ou un guide à bord droit.** Ceci améliore la précision de la coupe et réduit le risque de grippage de la lame.
7. **Toujours utiliser des lames avec des trous d'alésage central de la taille et de la forme (en diamant comparé aux trous ronds) corrects.** Les lames qui ne correspondent pas à la visserie de montage de la lame fonctionnent de façon excentrée, causant une perte de contrôle.
8. **Ne jamais utiliser des rondelles ou des vis de lame endommagées ou incorrectes.** Les rondelles et les vis de la lame sont spécialement conçues pour la scie, pour des performances et une sécurité de fonctionnement optimales.
9. **Causes des effets de REBOND et leur prévention par l'opérateur:**

Un REBOND est la brusque réaction d'une lame de scie pincée, coincée ou mal alignée, provoquant un relèvement incontrôlé de la lame hors de la pièce de travail vers l'opérateur.

Lorsque la lame est fermement pincée ou coincée par la fermeture du trait de scie, la lame cale et la réaction du moteur entraîne rapidement l'unité en arrière vers l'opérateur.

Si la lame devient vrillée ou mal alignée en cours de coupe, les dents du bord arrière de la lame peuvent creuser dans la surface supérieure du bois, ce qui peut faire sauter la lame hors du trait de scie et vers l'opérateur.

Un REBOND est le résultat d'une mauvaise utilisation de la scie et/ou de procédures ou de conditions d'utilisation incorrectes et il peut être évité en prenant les précautions appropriées suivantes:

- a. **Maintenir une prise ferme des deux mains sur la scie et positionner les bras de sorte à résister aux rebonds éventuels. Se maintenir d'un côté ou de l'autre de la lame et non pas dans le prolongement de celle-ci.** Un rebond peut provoquer un saut en arrière de la lame mais le choc en retour peut être contrôlé par l'opérateur si les précautions correctes sont prises.
- b. **Quand la lame est grippée ou lors de l'interruption d'une coupe pour une raison quelconque, relâcher l'adérence et maintenir la scie immobile dans le matériau jusqu'à l'arrêt total de la lame. Ne jamais tenter de retirer la lame de la pièce ou de tirer la lame en arrière lorsque la lame est en mouvement afin d'éviter tout rebond.** Rechercher la cause du grippage de la lame et prendre les actions correctives pour l'éliminer.
- c. **Lors du redémarrage d'une scie dans la pièce de travail, centrer la lame de la scie dans le trait et vérifier que les dents de la lame ne sont pas engagées dans le matériau.** Si la lame de la scie est grippée, elle peut remonter ou rebondir de la pièce de travail lors du redémarrage de la scie.
- d. **Supporter les grands panneaux pour minimiser les risques de pincement ou de retour de la lame.** Les grands panneaux ont tendance à fléchir sous leur propre poids. Des supports doivent être placés des deux côtés sous le panneau, près de la ligne de coupe et près du bord du panneau.
- e. **Ne pas utiliser une lame émoussée ou endommagée.** Des lames émoussées ou montées incorrectement produisent un trait de scie fin provoquant des frictions excessives, des grippages et des rebonds de lame.
- f. **Les leviers de verrouillage de la profondeur de la lame et de réglage du biseau doivent être serrés et fixés avant d'effectuer la coupe.** Le grippage et le rebond de la lame peuvent être provoqués par une modification du réglage de la lame lors de la coupe.
- g. **Faire preuve de précaution supplémentaire lors d'une «coupe en plongée» (ou en alvéole) dans des murs existants ou d'autres zones aveugles.** La lame protubérante peut couper des objets qui peuvent provoquer un rebond.

10. **Vérifier la fermeture correcte du garant inférieur avant chaque utilisation. Ne pas utiliser la scie si le garant inférieur ne se déplace pas librement et ne se ferme pas instantanément. Ne jamais fixer ou attacher le garant inférieur en position ouverte.** Si la scie tombe accidentellement, le garant inférieur risque d'être tordu. Relever le garant inférieur avec son levier et s'assurer qu'il se déplace librement et ne touche pas la lame ou toute autre pièce, quels que soient les angles et les profondeurs de coupe.
11. **Vérifier le fonctionnement du ressort du garant inférieur. Si le garant et le ressort ne fonctionnent pas correctement, les réparer avant utilisation.** Le garant inférieur peut fonctionner lentement en raison de pièces endommagées, de dépôts gommeux ou d'accumulation de débris.
12. **Le garant inférieur ne doit être manuellement rétracté que pour des coupes spéciales telles que les «coupes en plongée» («coupes en alvéole») ou les «coupes composées».** Relever le garant inférieur par son levier du garant et, dès que la lame pénètre dans le matériau, le garant inférieur doit être relâché. Pour toutes les autres coupes, le garant inférieur doit fonctionner automatiquement.
13. **Toujours s'assurer que le garant inférieur recouvre la lame avant de mettre la scie sur un établi ou sur le sol.** Une lame en roue libre non protégée fait progresser la scie

en arrière en coupant tout sur son passage. Être conscient de la durée nécessaire à la lame pour s'immobiliser après avoir relâché la commande.

14. **Ne pas utiliser de meules abrasives avec les scies circulaires.** La poussière et les grains peuvent faire en sorte que le protège-lame inférieur se coince et ne fonctionne pas correctement.
15. **Entretenez les étiquettes et marquages de fabricant.** Les indications qu'elles contiennent sont précieuses. Si elles deviennent illisibles ou se détachent, faites-les remplacer gratuitement à un centre de service MILWAUKEE accrédité.
16. **AVERTISSEMENT:** La poussière dégagée par perçage, sclage, perçage et autres travaux de construction contient des substances chimiques reconnues comme pouvant causer le cancer, des malformations congénitales ou d'autres troubles de reproduction. Voici quelques exemples de telles substances :




- Le plomb contenu dans la peinture au plomb.
- Le silice cristallin contenu dans la brique, le béton et divers produits de maçonnerie.
- L'arsenic et le chrome servant au traitement chimique du bois.

Les risques associés à l'exposition à ces substances varient, dépendant de la fréquence des travaux. Afin de minimiser l'exposition à ces substances chimiques, assurez-vous de travailler dans un endroit bien aéré et d'utiliser de l'équipement de sécurité tel un masque antipoussière spécifiquement conçu pour la filtration de particules

Spécifications

No de cat.	Diamètre de lame	Volts c.a.	T/Min. à vide	Arbre	Profondeur de coupe max. à 90°	Profondeur de coupe max. à 51.5°
6477-20 6577-20	184 mm (7-1/4 po)	120	4 400	Diamond	0 à 60 mm (0 to 2-3/8 po)	0 à 38 mm (0 to 1-1/2 po)

Pictographie

	Double Isolation		Courant alternatif
	Underwriters Laboratories, Inc., États-unis et Canada	n_0 xxxx/min.	Tours-minute à vide (RPM)
		A	Ampères

MISE A LA TERRE

AVERTISSEMENT

Si le fil de mise à la terre est incorrectement raccordé, il peut en résulter des risques de choc électrique. Si vous n'êtes pas certain que la prise dont vous vous servez est correctement mise à la terre, faites-la vérifier par un électricien. N'altérez pas la fiche du cordon de l'outil. N'enlevez pas de la fiche, la dent qui sert à la mise à la terre. N'employez pas l'outil si le cordon ou la fiche sont en mauvais état. Si tel est le cas, faites-les réparer dans un centre-service MILWAUKEE accrédité avant de vous en servir. Si la fiche du cordon ne s'adapte pas à la prise, faites remplacer la prise par un électricien.

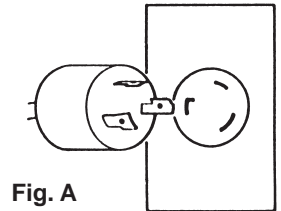


Fig. A

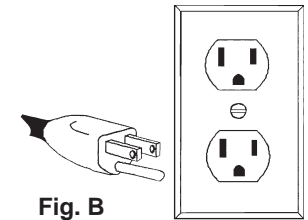


Fig. B

Outils à double isolation :
Outils pourvus d'une fiche de cordon à deux dents

Les outils marqués « Double Isolation » n'ont pas besoin d'être raccordés à la terre. Ils sont pourvus d'une double isolation conforme aux exigences de l'OSHA et satisfont aux normes de l'Underwriters Laboratories, Inc., de l'Association canadienne de normalisation (ACNOR) et du « National Electrical Code » (code national de l'électricité). Les outils à double isolation peuvent être branchés sur n'importe laquelle des prises à 120 volt illustrées ci-contre Figures C et D.

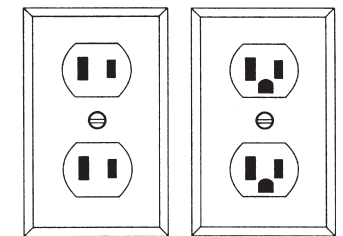


Fig. C

Fig. D

Certains modèles sont fournis avec un câble d'alimentation de 20 A (NEMA L5-20).

Outils mis à la terre :
Outils pourvus d'une fiche de cordon à trois dents

Les outils marqués « Mise à la terre requise » sont pourvus d'un cordon à trois fils dont la fiche a trois dents. La fiche du cordon doit être branchée sur une prise correctement mise à la terre (voir Figures A et B). De cette façon, si une défectuosité dans le circuit électrique de l'outil survient, le relais à la terre fournira un conducteur à faible résistance pour décharger le courant et protéger l'utilisateur contre les risques de choc électrique.

La dent de mise à la terre de la fiche est reliée au système de mise à la terre de l'outil via le fil vert du cordon. Le fil vert du cordon doit être le seul fil raccordé à un bout au système de mise à la terre de l'outil et son autre extrémité ne doit jamais être raccordée à une borne sous tension électrique.

Votre outil doit être branché sur une prise appropriée, correctement installée et mise à la terre conformément aux codes et ordonnances en vigueur. La fiche du cordon et la prise de courant doivent être semblables à celles de la Figures A et B.

CORDONS DE RALLONGE

Si l'emploi d'un cordon de rallonge est nécessaire, un cordon à trois fils doit être employé pour les outils mis à la terre. Pour les outils à double isolation, on peut employer indifféremment un cordon de rallonge à deux ou trois fils. Plus la longueur du cordon entre l'outil et la prise de courant est grande, plus le calibre du cordon doit être élevé. L'utilisation d'un cordon de rallonge incorrectement calibré entraîne une chute de voltage résultant en une perte de puissance qui risque de détériorer l'outil. Reportez-vous au tableau ci-contre pour déterminer le calibre minimum du cordon.

Moins le calibre du fil est élevé, plus sa conductivité est bonne. Par exemple, un cordon de calibre 14 a une meilleure conductivité qu'un cordon de calibre 16. Lorsque vous utilisez plus d'une rallonge pour couvrir la distance, assurez-vous que chaque cordon possède le calibre minimum requis. Si vous utilisez un seul cordon pour brancher plusieurs outils, additionnez le chiffre d'intensité (ampères) inscrit sur la fiche signalétique de chaque outil pour obtenir le calibre minimal requis pour le cordon.

Directives pour l'emploi des cordons de rallonge

- Si vous utilisez une rallonge à l'extérieur, assurez-vous qu'elle est marquée des sigles « W-A » (« W » au Canada) indiquant qu'elle est adéquate pour usage extérieur.
- Assurez-vous que le cordon de rallonge est correctement câblé et en bonne condition. Remplacez tout cordon de rallonge détérioré ou faites-le remettre en état par une personne compétente avant de vous en servir.
- Tenez votre cordon de rallonge à l'écart des objets ranchants, des sources de grande chaleur et des endroits humides ou mouillés.

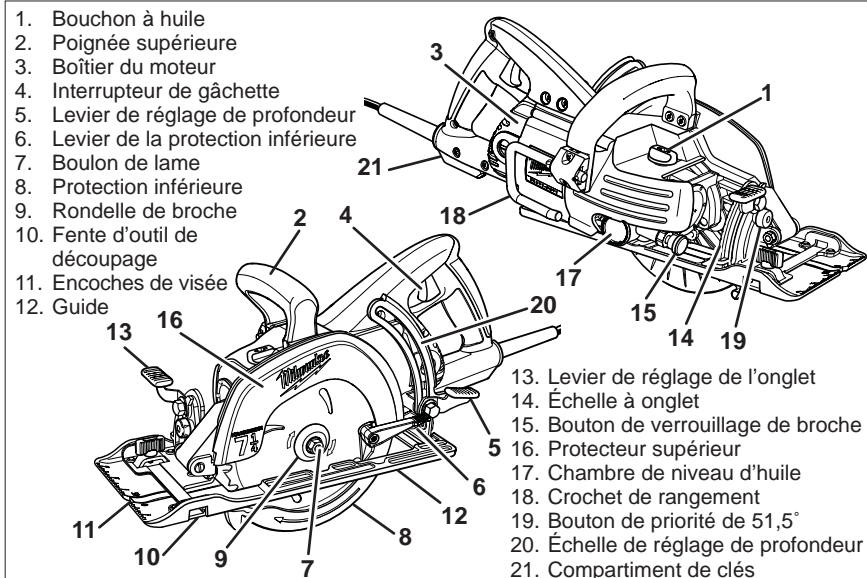
Calibres minimaux recommandés pour les cordons de rallonge*

Fiche signalétique Ampères	Longueur du cordon de rallonge (m)				
	7,6	15,2	22,8	30,4	45,7
0 - 2,0	18	18	18	18	16
2,1 - 3,4	18	18	18	16	14
3,5 - 5,0	18	18	16	14	12
5,1 - 7,0	18	16	14	12	12
7,1 - 12,0	16	14	12	10	
12,1 - 16,0	14	12	10		
16,1 - 20,0	12	10			

* Basé sur sur une chute de voltage limite de 5 volts à 150% de l'intensité moyenne de courant.

LISEZ ATTENTIVEMENT CES INSTRUCTIONS ET CONSERVEZ-LES POUR LES CONSULTER AU BESOIN.

DESCRIPTION FONCTIONNELLE



MONTAGE DE L'OUTIL



AVERTISSEMENT

Pour minimiser les risques de blessures, débranchez toujours l'outil avant d'y faire des réglages, d'y attacher ou d'en enlever les accessoires. L'usage d'accessoires autres que ceux qui sont spécifiquement recommandés pour cet outil peut comporter des risques.



AVERTISSEMENT

Utiliser uniquement des accessoires dotés d'une cote de vitesse maximale qui est au moins égale à la vitesse de rotation (en r/min) inscrite sur la plaque signalétique de l'outil.

Sélection de la lame

Utilisez toujours des lames bien affûtées. Les lames émoussées tendent à surcharger l'outil et à accroître les risques de recul (voir « Prévention contre le retour »). Une lame

combinée est incluse avec votre outil pour une utilisation générale dans la coupe du bois. Sélectionnez la lame qui convient à la tâche. N'utilisez que des lames avec des arbres en diamant, et lisez les instructions du fabricant avant de les utiliser.

Fig. 1

Découpage et coupe transversale

Une lame à usages multiples pour le découpage, la coupe transversale et l'assemblage en onglet des bois durs, des bois mous, du contreplaqué et des matériaux composés.

Charpentage et découpage

Conçue pour un découpage rapide et précis le long du grain dans les bois durs ou mous, là où un coupe transversale n'est pas nécessaire.

Contreplaqué et placage

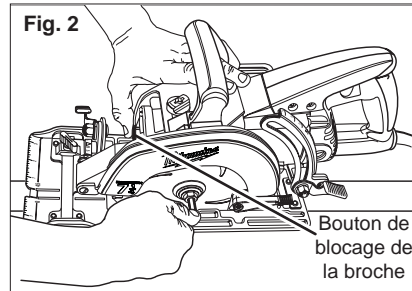
Recommandée pour la coupe du contreplaqué, des matériaux composés et de tous les types de bois exigeant un fini plus lisse.

Finition et garniture

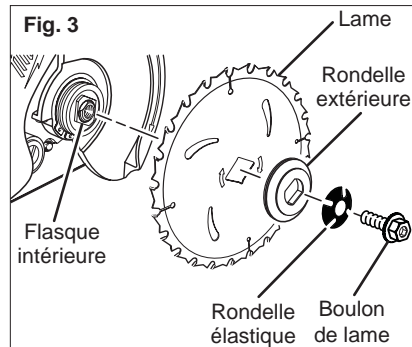
Conçue spécialement pour la coupe transversale et l'assemblage en onglet lorsqu'une coupe très lisse est requise. Coupe également l'aluminium.

Montage des lames

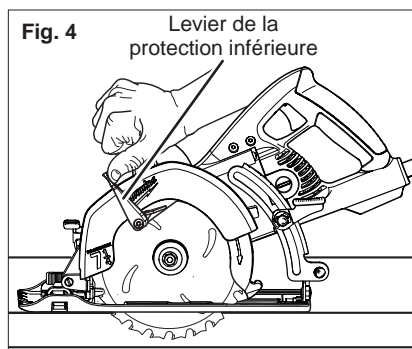
1. Pour enlever le boulon de lame de la broche, poussez le bouton de verrouillage de la broche (Fig. 2) en le tournant dans le sens horaire avec une clé hex. de 6 mm (fournie avec l'outil) jusqu'à ce que la broche se verrouille. Enlevez la rondelle extérieure et rondelle élastique.



NOTE : Ne retirez pas le collet intérieur de la lame. Le côté du collet intérieur où le diamètre est le plus grand (figure 3) devrait faire face à la lame.



2. Poussez vers le haut le levier de la protection inférieure pour lever la probroche avec les dents pointant dans la même direction que la flèche de la protection inférieure (Fig. 4). Relâchez le levier de la protection inférieure.



3. Placez la rondelle extérieure, rondelle élastique et le boulon de lame sur la broche.
4. Poussez le bouton de verrouillage de la broche tout en tournant le boulon dans le sens antihoraire avec une clé hex. de 6 mm, jusqu'à ce que la broche se verrouille. Serrez solidement le boulon.
5. Pour déposer la lame, répétez à l'inverse les étapes ci-dessus. Nettoyez toujours la saleté et la sciure de la broche, rondelles, et de la protection supérieure et inférieure après une utilisation.

Réglage de la profondeur

1. Pour régler la profondeur de la coupe, placez la scie sur le bord de l'établi et tirez le levier de réglage de la profondeur.
2. Maintenez le guide à plat sur l'établi et levez ou abaissez la scie à la position désirée. Abaisser la scie augmente la profondeur de coupe. Lever la scie réduit la profondeur de coupe. La profondeur est réglée correctement si la lame ne dépasse pas de plus de 6 mm (1/4 po) du dessous du matériau que vous coupez. Utilisez l'échelle de réglage de profondeur pour les profondeurs standards.
3. Poussez le levier de profondeur vers le bas pour verrouiller. Vérifiez pour vous assurer que le levier de réglage de profondeur est placé de façon sécuritaire.

Réglage de l'angle de l'onglet

1. Pour régler l'angle de la coupe, placez la scie sur le bord de l'établi et tirez le levier de réglage de l'onglet.
2. Tenez le guide vers le bas et faites glisser la scie à la position désirée selon les marques de l'échelle à onglet (jusqu'à 45°).
3. Pour augmenter l'angle de la coupe jusqu'à 51,5°, appuyez sur le bouton de priorité et inclinez la scie à l'angle désiré.
4. Poussez le levier d'onglet vers le bas pour le verrouiller. Vérifiez l'angle avec une équerre. Vérifiez également pour vous assurer que le levier de réglage de l'onglet est placé de façon sécuritaire avant d'effectuer la coupe.

MANIEMENT



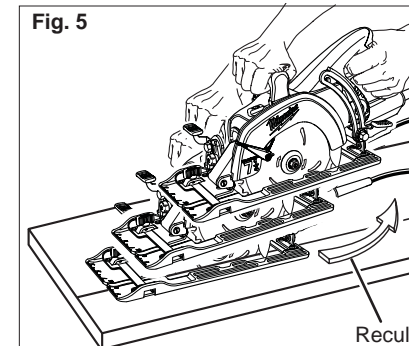
AVERTISSEMENT

Pour minimiser les risques de blessures, portez des lunettes à coques latérales. Débranchez l'outil avant de changer les accessoires ou d'effectuer des réglages.

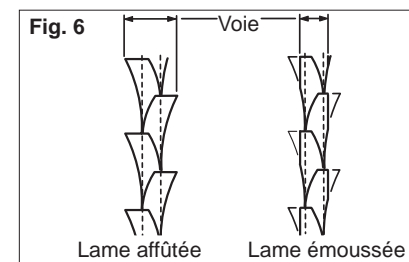
Prévenir le retour

Le retour est la réaction subite provoquée par une lame bloquée; il peut faire lever une scie hors de contrôle et la projeter vers l'utilisateur. Prenez les précautions suivantes pour éviter le recul.

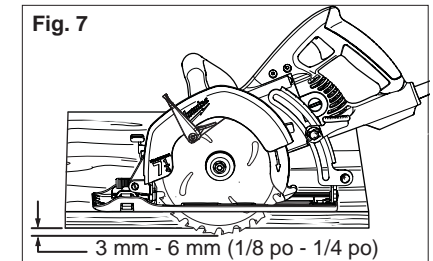
1. Maintenez fermement et gardez une position adéquate du corps. Placez les bras et le corps de façon à contrôler une force de réaction de recul vers le haut et vers l'arrière (Fig. 5).



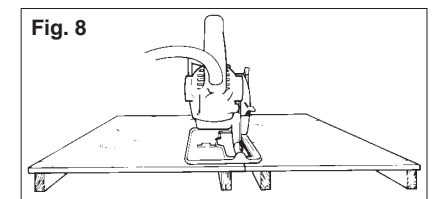
2. Gardez les lames propres et bien affûtées. Une lame bien affûtée tend à se dégager d'un état de coincement. Une lame émoussée produit une saignée étroite et tend à se coincer dans la pièce. Des lames émoussées ou poisseuses incitent l'utilisateur à forcer la scie, réduisant ainsi le contrôle et favorisent le coincement. Toute lame avec une petite voie, même bien affûtée, est plus sujette à un recul (Fig. 6).



3. Réglez la profondeur de coupe de façon à ce qu'elle n'excède pas l'épaisseur du matériau de plus de 3 mm à 6 mm (1/8 po à 1/4 po) (Fig. 7). Moins la lame est à découvert, moins elle a de chances de se coincer et de provoquer un recul. Avant de couper, assurez-vous que les dispositifs de réglage de profondeur et d'onglet sont bien serrés.



4. Méfiez-vous des matériaux poisseux, noueux, mouillés ou gondolés. Ils sont les plus susceptibles de créer des conditions de coincement et des risques de recul. Ne sciez pas en long du bois de construction gauchi. Évitez de couper des clous.
5. Supportez correctement la pièce. Un matériau mal supporté peut fléchir ou se courber et ainsi coincer la lame. Lorsque vous coupez le centre de la pièce, supportez le matériau des deux côtés de la coupe. Assurez-vous de bien supporter les grandes feuilles de matériau mince comme les panneaux, le Formica, etc., (Fig. 8) (voir « Coupe de grands panneaux »). Lorsque vous coupez l'extrémité de la pièce, posez la scie sur la portion supportée hors des supports et laissez tomber l'extrémité coupée (voir « Maniement général »).

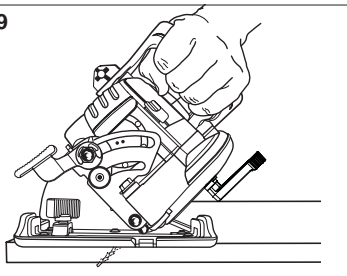


6. Laissez toujours la lame s'arrêter complètement de tourner avant d'enlever la scie de la saignée pendant que la lame tourne. Si vous redémarrez ou si vous corrigez la direction au milieu de la coupe, laissez la lame s'arrêter par inertie,

reculez la scie de quelques centimètre et centrez-la dans la saignée avant de redémarrer.

- Restez vigilant. Toute distraction peut causer un voilement ou un coincement. L'utilisateur risque de se laisser aller à des mouvements irréguliers par suite de coupes répétitives.
- Soyez prudent lors des coupe en biseau. Vu que la lame s'engage plus dans la pièce et que la stabilité du guide est plus fragile lors des coupes en biseau, une mauvaise utilisation peut provoquer un recul. Maintenez le guide fermement contre la pièce.

Fig. 9



- Ne forcez pas l'outil. Le fait de forcer la scie diminue le contrôle et l'efficacité de la coupe.
- Utilisez l'outil de découpage ou le guide de rebord pendant la coupe. Le guide améliore le contrôle et réduit le coincement de la lame (voir « Coupe en long du bois »).

Dans l'éventualité d'un recul, continuez à maintenir fermement la scie et relâchez immédiatement la gâchette.

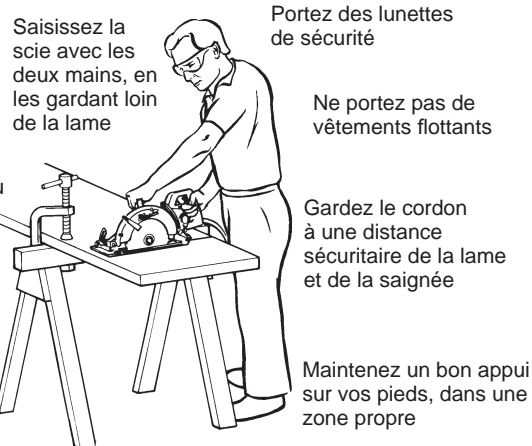
Fig. 10

Resserrez de façon sécuritaire les leviers de réglage de la profondeur et de l'onglet

Réglez la profondeur de la coupe à 3 ou 6 mm (1/8 ou 1/4 po) plus profond que l'épaisseur du matériau

Posez la scie sur une pièce plus grande pour laisser tomber la plus petite

Fixez solidement la pièce sur des support résistants



Maniement général

Fixez toujours la pièce solidement à un chevalet ou à un établi au moyen de serre-joints. Voir « Applications » pour la façon correcte de soutenir une pièce dans différentes situations. Une application typique est illustrée ci-dessous.

- Tracez une ligne de coupe. Placez l'avant du guide sur le rebord de la pièce sans que la lame entre en contact. Maintenez la poignée contenant la gâchette avec une main et la poignée supérieure de l'autre.
- Alignez l'encoche de visée avec votre ligne de coupe. Positionnez vos bras et votre corps de façon à résister au recul. Appuyez sur la gâchette tout en laissant le moteur atteindre sa vitesse maximum avant de commencer à couper.
- Tout en coupant, maintenez le guide à plat contre la pièce et tenez fermement les poignées. Ne forcez pas la scie à découper dans la pièce. Sinon, un recul risque de se produire.
- Si vous effectuez une coupe partielle, repartez à mi-coupe ou corrigez la direction, attendez l'arrêt complet de la lame. Pour reprendre la coupe, centrez la lame dans la saignée, reculez la scie loin du rebord de coupe sur quelques centimètres, appuyez sur la gâchette et recentrez lentement la coupe.
- Si la scie cale, maintenez une poigne ferme et relâchez immédiatement la gâchette. Corrigez le problème avant de continuer (voir « Prévention contre le retour »).
- Une fois que vous avez terminé une coupe, assurez-vous que la protection inférieure est fermée et que la lame a complètement arrêté de tourner avant de poser la scie.

Dépannage

Si la lame ne veut pas suivre en ligne droite :

- Les dents sont émoussées sur un côté. Cela se produit lorsque les dents heurtent un objet dur tel qu'un clou ou une pierre, ce qui émousse un de leurs côtés. La lame a tendance à couper vers le côté avec ses dents les plus affûtées.
- Le guide est désaxé ou tordu
- La lame est tordue
- L'outil de découpage ou le guide n'a pas été utilisé

APPLICATIONS



AVERTISSEMENT

Pour réduire les risques d'explosion, de chocs électriques et de dommages à la propriété, vérifiez toujours que la zone de travail ne contient pas de tuyaux ou de câbles cachés avant de commencer à percer.

Coupe de grands panneaux

Les grands panneaux et les longues planches fléchissent ou se cintrent si elles ne sont pas soutenues correctement. Si vous essayez de couper sans mettre la pièce à niveau ni la soutenir correctement, la lame aura tendance à se coincer et à provoquer un recul.

Supportez les grands panneaux. Assurez-vous de régler la profondeur de coupe de façon à ne couper que la pièce, mais pas ses supports.

Fig. 11

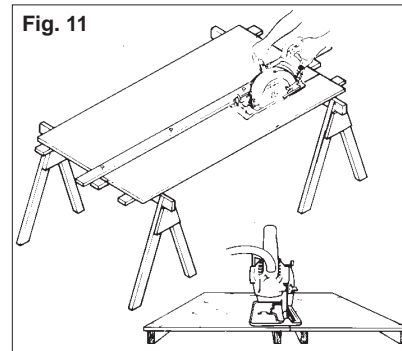
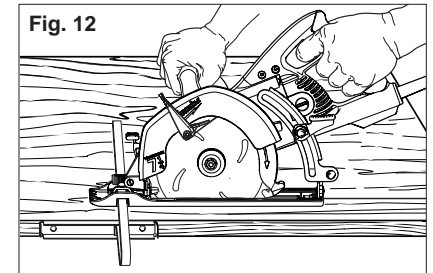
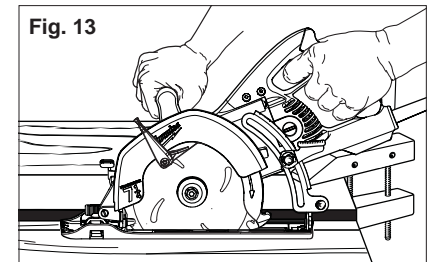


Fig. 12



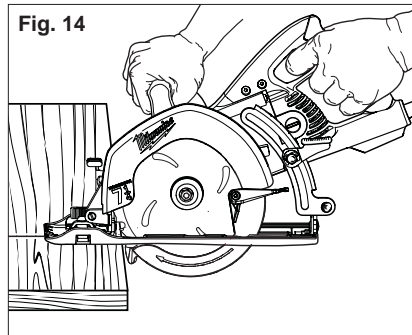
Lorsque vous coupez des largeurs de plus de 100 mm (4 po), fixez des pièces de bois de 25 mm (1 po) sur la pièce pour qu'elles servent de guide (Fig. 13).

Fig. 13



Coupe transversale du bois

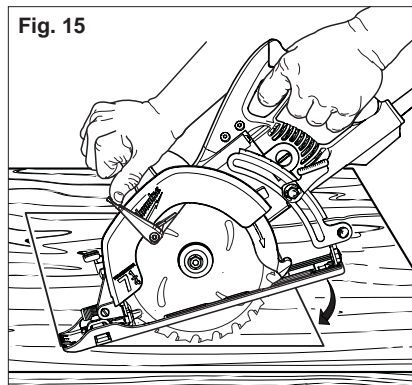
Un coupe transversale s'effectue en travers du grain. Sélectionnez la lame qui convient à la tâche. Avancez lentement avec la scie pour éviter que les fibres du bois ne se déchirent, puis relevez.



Chantournage

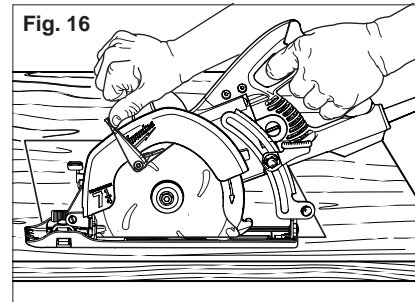
Un chantournage est effectué au milieu de la pièce lorsqu'elle ne peut être coupée en partant d'un bord. Nous recommandons d'utiliser une Sawzall® pour ce type de coupe. Si toutefois vous devez utiliser une scie circulaire pour chantourner, FAITES PREUVE D'EXTRÊME PRUDENCE.

1. En partant d'un coin, alignez l'encoche de visée avec votre ligne de coupe. Inclinez la scie vers l'avant, en fixant fermement l'avant du guide sur la pièce. La lame doit se trouver juste au-dessus de la ligne de coupe sans la toucher. Relevez le protection inférieure à l'aide de son levier.
2. Appuyez sur la gâchette. Laissez la lame parvenir à sa vitesse maximum. Servez-vous de l'avant du guide comme charnière et abaissez graduellement l'extrémité arrière de la scie dans la pièce (Fig. 15).



3. Lorsque le guide est placé contre la pièce (Fig. 16), déplacez la scie vers le coin le plus éloigné. Relâchez la gâchette et attendez l'arrêt complet de la lame avant de la retirer de la pièce. Répétez les opérations ci-dessus pour chaque côté de l'ouverture. Utilisez une scie Sawzall®, une scie sauteuse ou une petite scie à main pour terminer les coins s'ils ne sont pas complètement découpés.

Coupe de la maçonnerie et du métal



Les scies circulaires de Milwaukee ne sont pas conçues pour être utilisées de façon continue pour couper du métal ou des matériaux de maçonnerie. Pour couper ces types de matériaux, utiliser la lame appropriée.

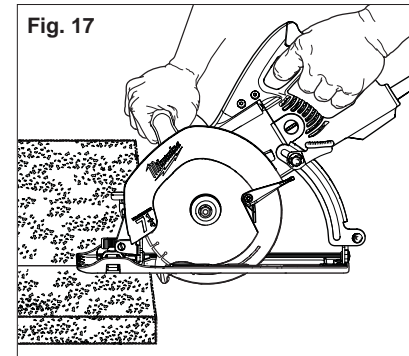
AVERTISSEMENT

La poussière, les copeaux et les grains peuvent bloquer la protection dans une position ouverte en tout temps. Si la scie doit servir à couper des matériaux de maçonnerie ou du métal, la réserver uniquement pour ce type d'opération et la retourner au centre d'entretien de MILWAUKEE afin de la faire nettoyer et de la tester avant de l'utiliser pour couper du bois.

AVERTISSEMENT

Utiliser uniquement des accessoires dotés d'une cote de vitesse maximale qui est au moins égale à la vitesse de rotation (en r/min) inscrite sur la plaque signalétique de l'outil.

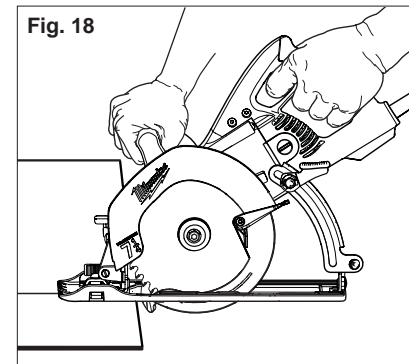
Pour couper des matériaux de maçonnerie, utiliser une lame de diamant. Faire des cannelures successives d'une profondeur de moins de 6 mm (1/4 po) afin d'obtenir la profondeur désirée. Si la profondeur de coupe dépasse 6 mm (1/4 po), la meule sera endommagée. Débrancher l'outil et enlever fréquemment la poussière des événements d'aération et des protégés-lame.



AVERTISSEMENT

Ne pas utiliser l'outil pour couper du métal à proximité de matériaux inflammables. Les étincelles peuvent provoquer un incendie.

Pour couper du métal, utiliser une lame pour coupe de métal. Régler la profondeur de coupe au maximum. S'assurer que toutes les personnes se trouvant à proximité sont à l'abri des étincelles.



MAINTENANCE

AVERTISSEMENT

Pour minimiser les risques de blessures, débranchez toujours l'outil avant d'y effectuer des travaux de maintenance. Ne faites pas vous-même le démontage de l'outil ni le rebobinage du système électrique. Consultez un centre de service MILWAUKEE accrédité pour toutes les réparations.

Entretien de l'outil

Gardez l'outil en bon état en adoptant un programme d'entretien ponctuel. Avant de vous en servir, examinez son état en général. Inspectez-en la garde, interrupteur, cordon et cordon de rallonge pour en déceler les défauts. Vérifiez le serrage des vis, l'alignement et le jeu des pièces mobiles, les vices de montage, bris de pièces et toute autre condition pouvant en rendre le fonctionnement dangereux. Si un bruit ou une vibration insolite survient, arrêtez immédiatement l'outil et faites-le vérifier avant de vous en servir de nouveau. N'utilisez pas un outil défectueux. Fixez-y une étiquette marquée « HORS D'USAGE » jusqu'à ce qu'il soit réparé (voir « Réparations »).

Normalement, il ne sera pas nécessaire de lubrifier l'outil avant que le temps ne soit venu de remplacer les balais. Après une période pouvant aller de 6 mois à un an, selon l'usage, retournez votre outil à un centre de service MILWAUKEE accrédité pour obtenir les services suivants:

- Lubrification
- Inspection et remplacement des balais
- Inspection et nettoyage de la mécanique (engrenages, pivots, coussinets, boîtier etc.)
- Inspection électrique (interrupteur, cordon, induit etc.)
- Vérification du fonctionnement électromécanique

Maintien du niveau d'huile

Vérifiez le niveau d'huile. Pour vérifier le niveau d'huile, réglez la scie à la profondeur maximale, déposez-la sur son guide et vérifiez la chambre de niveau d'huile. Le niveau d'huile doit être inférieur à la ligne de maximum d'huile de l'outil (environ 14 ml (1/2 oz.).

Si le niveau d'huile est bas :

1. Pour ajouter l'huile, posez la scie sur son patin et retirez le bouchon à huile.
2. Versez l'huile dans la chambre. NE PAS TROP REMPLIR.
3. Une fois atteint le niveau d'huile adéquat, remettez en place le capuchon.

L'huile *MILWAUKEE* est une huile synthétique spécifiquement conçue pour les scies à vis sans fin. D'autres types d'huiles pourraient endommager l'outil et mal se comporter à des températures variées. Vérifiez fréquemment le niveau d'huile si l'outil est utilisé pendant de longues périodes. (Mise en garde : l'huile peut être chaude.)



AVERTISSEMENT

Pour minimiser les risques de blessures, choc électrique et dommage à l'outil, n'immergez jamais l'outil et ne laissez pas de liquide s'y infiltrer.

Nettoyage

Débarrassez les événements des débris et de la poussière. Gardez les poignées de l'outil propres, à sec et exemptes d'huile ou de graisse. Le nettoyage de l'outil doit se faire avec un linge humide et un savon doux. Certains nettoyants tels l'essence, la térébenthine, les diluants à laque ou à peinture, les solvants chlorés, l'ammoniaque et les détergents d'usage domestique qui en contiennent pourraient détériorer le plastique et l'isolation des pièces. Ne laissez jamais de solvants inflammables ou combustibles auprès des outils.

Réparations

Si votre outil est endommagé, retournez l'outil entier au centre de maintenance le plus proche.

ACCESSOIRES



AVERTISSEMENT

Pour minimiser les risques de blessures, débranchez toujours l'outil avant d'y installer ou d'en enlever les accessoires. L'emploi d'accessoires autres que ceux qui sont expressément recommandés pour cet outil peut présenter des risques.

Pour une liste complète des accessoires, prière de se reporter au catalogue *MILWAUKEE* Electric Tool ou visiter le site internet www.milwaukeetool.com. Pour obtenir un catalogue, il suffit de -contacter votre distributeur local ou l'un des centres-service.

Trousse d'outil de découpage

No de cat. 50-09-1000

Mallette en acier

No de cat. 48-55-1101

Huile pour scie à vis sans fin

No de cat. 49-32-2600 – 237 ml (1/2 pt)

Lames de scie circulaire Endurance™

Lames de très longue durée pour construction et pour finition. Consultez votre catalogue d'outils électriques *MILWAUKEE* pour une liste des lames.

GARANTIE LIMITÉE DE L'OUTIL DE CINQ ANS

Chaque outil électrique *MILWAUKEE* (y compris le chargeur de batterie) est garanti à l'acheteur d'origine être exempt de vice du matériau et de fabrication. Sous réserve de certaines exceptions, *MILWAUKEE* réparera ou remplacera toute pièce d'un outil électrique qui, après examen, sera avéré par *MILWAUKEE* être affecté d'un vice du matériau ou de fabrication pendant une période de cinq (5) ans* après la date d'achat. Le retour de l'outil électrique, accompagné d'une copie de la preuve d'achat à un site d'entretien d'usine/de promotion des ventes de *MILWAUKEE* ou à un poste d'entretien agréé *MILWAUKEE*, en port prépayé et assuré, est requis pour que cette garantie s'applique. Cette garantie ne couvre pas les dommages que *MILWAUKEE* détermine être causés par des réparations ou des tentatives de réparation par quiconque autre que le personnel agréé par *MILWAUKEE*, des utilisations incorrectes, des altérations, des utilisations abusives, une usure normale, une carence d'entretien ou les accidents.

* La période de garantie pour les palans (palans à levier, à chaîne manuelle et à chaîne électrique), tous les blocs de batteries au NiCd, les projecteurs de travail (lampes torches sans fil), les radios de chantier et les chariots de travail industriels Trade Titan™ est d'un (1) an à partir de la date d'achat. *La période de garantie pour les blocs de batteries au lithium-ion qui ne sont pas équipés de la technologie V™ (entre 4 et 18 volts) est de deux (2) ans à partir de la date d'achat.

*Il existe une garantie séparée pour les blocs de batteries au lithium-ion avec technologie V™ de 18 volts et plus qui accompagnent les outils électriques sans fil de technologie V™ :

*Chaque batterie au lithium-ion 18 volts ou plus de technologie *MILWAUKEE* V™ est couverte par une garantie de remplacement gratuit initial pour 1 000 charges/2 ans. Ceci signifie qu'avant les 1 000 premières charges ou deux (2) années suivant la date d'achat/la première charge, une batterie de rechange sera fournie gratuitement au client pour toute batterie défectueuse. Par la suite, les clients recevront aussi une garantie supplémentaire calculée au prorata dans la limite de 2 000 charges ou cinq (5) années suivant la date d'achat/la première charge, à la première échéance. Ceci signifie que chaque client obtient une garantie au prorata supplémentaire de 1 000 charges ou de trois (3) années sur les batteries au lithium-ion 18 volts ou plus de technologie V™ en fonction de l'utilisation. Pendant cette période de garantie supplémentaire, le client ne paye que pour le service utilisable reçu au-delà des 1 000 premières charges/2 premières années, en fonction de la date de la première charge et du nombre de charges des batteries déterminés par le lecteur de service *MILWAUKEE* de technologie V™.

L'enregistrement de la garantie n'est pas nécessaire pour bénéficier de la garantie en vigueur sur un produit *MILWAUKEE*. Une preuve d'achat sous la forme d'un reçu de vente ou d'autres informations considérées suffisantes par *MILWAUKEE* est cependant requise.

L'ACCEPTATION DES RECOURS EXCLUSIFS DE RÉPARATION ET DE REMPLACEMENT DÉCRITS PAR LES PRÉSENTES EST UNE CONDITION DU CONTRAT D'ACHAT DE TOUT PRODUIT *MILWAUKEE*. SI VOUS N'ACCEPTÉZ PAS CETTE CONDITION, VOUS NE DEVEZ PAS ACHETER LE PRODUIT. EN AUCUN CAS *MILWAUKEE* NE SAURAIT ÊTRE RESPONSABLE DE TOUT DOMMAGE ACCESSOIRE, SPÉCIAL OU INDIRECT, DE DOMMAGES-INTÉRÊTS PUNITIFS OU DE TOUTE DÉPENSE, D'HONORAIRES D'AVOCATS, DE FRAIS, DE PERTE OU DE DÉLAIS ACCESSOIRES À TOUT DOMMAGE, DÉFAILLANCE OU DÉFAUT DE TOUT PRODUIT, Y COMPRIS NOTAMMENT LES PERTES DE PROFIT. CETTE GARANTIE EST EXCLUSIVE ET REMPLACE TOUTE AUTRE GARANTIE OU CONDITION, ÉCRITE OU VERBALE, EXPRESSE OU IMPLICITE. SANS LIMITER LA GÉNÉRALITÉ DES DISPOSITIONS PRÉCÉDENTES, *MILWAUKEE* DÉCLINE TOUTE GARANTIE IMPLICITE DE QUALITÉ MARCHANDE OU D'ADAPTATION À UNE UTILISATION OU À UNE FIN PARTICULIÈRE ET TOUTE AUTRE GARANTIE.

Cette garantie s'applique aux produits vendus aux États-Unis, au Canada et au Mexique uniquement.

REGLAS DE SEGURIDAD GENERALES PARA HERRAMIENTAS ELÉCTRICAS



ADVERTENCIA

LEA TODAS LAS INSTRUCCIONES

Si no se siguen todas las siguientes instrucciones se puede provocar una descarga eléctrica, un incendio y/o lesiones graves. El término “herramienta eléctrica” en todas las advertencias incluidas más abajo se refiere a su herramienta operada por conexión (cable) a la red eléctrica o por medio de una batería (inalámbrica).

GUARDE ESTAS INSTRUCCIONES

SEGURIDAD EN EL ÁREA DE TRABAJO

1. **Mantenga limpia y bien iluminada el área de trabajo.** Las áreas desordenadas u oscuras contribuyen a que se produzcan accidentes.
2. **No utilice herramientas eléctricas en atmósferas explosivas, como en la presencia de líquidos, gases o polvo inflamables.** Las herramientas eléctricas crean chispas que pueden incendiar el polvo o las emanaciones.
3. **Mantenga a los niños y otras personas alejadas mientras utiliza una herramienta eléctrica.** Las distracciones pueden hacerle perder el control.

SEGURIDAD ELÉCTRICA

4. **Los enchufes de las herramientas eléctricas deben ser del mismo tipo que el tomacorrientes. Nunca realice ningún tipo de modificación en el enchufe. No use enchufes adaptadores con herramientas eléctricas con conexión a tierra.** Se reducirá el riesgo de descarga eléctrica si no se modifican los enchufes y los tomacorrientes son del mismo tipo.
5. **Evite el contacto corporal con superficies con conexión a tierra, como tuberías, radiadores, estufas y refrigeradores.** El riesgo de descarga eléctrica aumenta si su cuerpo está conectado a tierra.
6. **No exponga la herramientas eléctricas a la lluvia o a condiciones de humedad.** El agua que entra en una herramienta eléctrica aumenta el riesgo de descarga eléctrica.

7. **No abuse del cable. Nunca use el cable para transportar la herramienta eléctrica, tirar de ella o desenchufarla. Mantenga el cable alejado del calor, los bordes afilados o las piezas en movimiento.** Los cables dañados o enmarañados aumentan el riesgo de descarga eléctrica.
8. **Cuando se utiliza una herramienta eléctrica en el exterior, use una extensión que sea apropiada para uso en el exterior.** El uso de un cable apropiado para el exterior reduce el riesgo de descarga eléctrica.

SEGURIDAD PERSONAL

9. **Manténgase alerta, ponga cuidado a lo que está haciendo y use el sentido común cuando utilice una herramienta eléctrica. No use una herramienta eléctrica cuando está cansado o bajo la influencia de drogas, alcohol o medicinas.** Despijarse un minuto cuando se utiliza una herramienta eléctrica puede tener como resultado lesiones personales graves.
10. **Use equipo de seguridad. Lleve siempre protección ocular.** Llevar equipo de seguridad apropiado para la situación, como una máscara antipolvo, zapatos de seguridad antideslizantes casco o protección auditiva, reducir á las lesiones personales.
11. **Evite los arranques accidentales. Asegúrese de que el interruptor esté en la posición de apagado antes de enchufar la herramienta.** Mover herramientas con el dedo en el interruptor o enchufar herramientas con el interruptor en la posición de encendido contribuye a que se produzcan accidentes.

12. **Quite todas las llaves de ajuste antes de encender la herramienta.** Una llave que esté acoplada a una pieza giratoria de la herramienta puede provocar lesiones personales.
13. **No se estire demasiado. Mantenga los pies bien asentados y el equilibrio en todo momento.** Esto permite tener mejor control de la herramienta eléctrica en situaciones inesperadas.
14. **Vístase de manera apropiada. No lleve ropa suelta ni joyas. Mantenga el cabello, la ropa y los guantes lejos de la piezas en movimiento.** La ropa floja, las joyas o el cabello largo pueden quedar atrapados en las piezas en movimiento.
15. **Si se proporcionan dispositivos para la conexión de sistemas de recolección y extracción de polvo, asegúrese de que estén conectados y se usen apropiadamente.** El uso de estos dispositivos puede reducir los peligros relacionados con el polvo.

USO Y CUIDADO DE LAS HERRAMIENTAS ELÉCTRICAS

16. **No fuerce la herramienta eléctrica. Use la herramienta eléctrica correcta para la aplicación.** La herramienta eléctrica correcta funcionará mejor y de manera más segura a la velocidad para la que se diseñó.
17. **No use la herramienta eléctrica si el interruptor no la enciende ni la apaga.** Cualquier herramienta eléctrica que no se pueda controlar con el interruptor es peligrosa y se debe reparar.
18. **Desconecte el enchufe de la toma de alimentación y/o la batería de la herramienta eléctrica antes de realizar cualquier ajuste, cambiar accesorios o almacenar las herramientas eléctricas.** Dichas medidas preventivas de seguridad reducen el riesgo de que la herramienta se prenda accidentalmente.
19. **Almacene las herramientas eléctricas fuera del alcance de los niños y no permita que personas no familiarizadas con ellas o estas instrucciones las utilicen.** Las herramientas eléctricas son peligrosas en las manos de usuarios no capacitados.
20. **Mantenimiento de las herramientas eléctricas. Revise que no haya piezas móviles que estén desalineadas o que**

se atasquen, piezas rotas ni ninguna otra condición que pueda afectar el funcionamiento de la herramienta eléctrica. Si se encuentran daños, haga que le reparen la herramienta antes de usarla. Las herramientas mal mantenidas son la causa de muchos accidentes.

21. **Mantenga las herramientas de corte limpias y afiladas.** Es menos probable que se atasquen las herramientas de corte con filos afilados que se mantienen de manera apropiada y también son más fáciles de controlar.
22. **Use la herramienta eléctrica, los accesorios y las brocas, etc. siguiendo estas instrucciones y de la manera para la que dicha herramienta eléctrica en particular fue diseñada, teniendo en cuenta las condiciones de trabajo y la tarea que se va a realizar.** El uso de la herramienta eléctrica para operaciones diferentes de aquellas para las que se diseñó podría resultar en una situación peligrosa.

MANTENIMIENTO

23. **Haga que un técnico calificado realice el mantenimiento de la herramienta eléctrica utilizando solamente piezas de repuesto idénticas.** Esto asegurará que se mantiene la seguridad de la herramienta eléctrica.

REGLAS ESPECIFICAS DE SEGURIDAD

PELIGRO

1. **Mantenga las manos alejadas del área de corte y la cuchilla. Mantenga la otra mano en el mango auxiliar o en el alojamiento del motor.** Si ambas manos están sujetando la sierra, la cuchilla no puede cortarlas.
2. **No meta la mano debajo de la pieza en la que se está trabajando.** La guarda no lo puede proteger de la cuchilla debajo de la pieza en la que se está trabajando.
3. **Ajuste la profundidad de corte al grosor de la pieza en la que se está trabajando.** Por debajo de la pieza en la que se está trabajando se debe ver menos de un diente completo de la cuchilla.
4. **NUNCA sujete la pieza que se está cortando con las manos o sobre**

las piernas. **Asegure la pieza a una plataforma estable.** Es importante apoyar la pieza de manera apropiada para reducir al mínimo la exposición del cuerpo, el agarrotamiento de la cuchilla o la pérdida de control.

5. **Agarre la herramienta por los asideros aislados cuando realice una operación en la que la herramienta de corte pueda entrar en contacto con cables ocultos o con su propio cable.** El contacto con un cable “con corriente” hará que las partes de metal expuesto de la herramienta pasen la corriente y produzcan una descarga al operador.
6. **Cuando se esté serrando al hilo, use siempre una guía de cortar al hilo o una regla.** Esto mejora la precisión del corte y reduce la posibilidad de que la cuchilla se atasque.
7. **Use siempre cuchillas con el tamaño y la forma correctos (diamante versus redonda) de los agujeros para el eje.** Las cuchillas que no coinciden con la tornillería de montaje de la sierra se moverán excéntricamente, provocando la pérdida de control.
8. **Nunca use arandelas o pernos dañados o incorrectos.** Las arandelas y pernos de la cuchilla fueron especialmente diseñados para su sierra, para un rendimiento óptimo y una utilización segura.

9. Causas y prevención por parte del operario del REBOTE:

El REBOTE es una reacción repentina a una cuchilla atascada o mal alineada que hace que una sierra sin controlar se levante y se salga de la pieza en la que se está trabajando hacia el operador.

Cuando la cuchilla está atrapada o atascada porque la entalladura se cierra, la cuchilla se para y la reacción del motor impulsa la unidad rápidamente hacia el operador. Si la cuchilla se dobla o pierde la alineación en el corte, los dientes en el borde trasero de la cuchilla pueden hundirse en la superficie superior de la madera haciendo que la cuchilla se salga de la entalladura y salte hacia atrás, hacia el operador.

El REBOTE es el resultado de un uso indebido de la sierra o de procedimientos o condiciones de utilización incorrectos, y se puede evitar tomando las precauciones apropiadas que se presentan a continuación:

- a. **Agarre la sierra firmemente con ambas manos y coloque los brazos de manera que resistan las fuerzas de rebote. Coloque el cuerpo a cualquiera de los lados de la cuchilla, pero no alineado con ésta.** El rebote podría hacer que la sierra salte hacia atrás, pero las fuerzas de rebote pueden ser controladas por el operador si se toman las precauciones apropiadas.
- b. **Cuando la cuchilla se está atascando, o cuando se interrumpe el corte por cualquier motivo, suelte el gatillo y mantenga la sierra inmóvil en el material hasta que la sierra se pare por completo. Nunca intente sacar la sierra de la pieza en la que se está trabajando ni tire de ella hacia atrás mientras está en movimiento ya que esto puede provocar el rebote.** Investigue y tome las acciones correctivas pertinentes para eliminar la causa del atascamiento de la cuchilla.
- c. **Cuando se vuelva a introducir la sierra en la pieza en la que se está trabajando, centre la cuchilla en la entalladura y revise que los dientes de la sierra no estén en contacto con el material.** Si la cuchilla de la sierra se atasca, puede moverse hacia atrás o rebotar cuando se vuelve a arrancar la sierra.
- d. **Apoye los paneles grandes para minimizar el riesgo de que la cuchilla se atore y rebote.** Los paneles grandes tienden a pandearse bajo su propio peso. Se deben colocar soportes debajo del panel a ambos lados, cerca de la línea de corte y cerca del borde del panel.
- e. **No usar una cuchilla desafilada o dañada.** Las cuchillas sin afilar o mal colocadas producen una entalladura estrecha que provoca un fricción excesiva, atascamiento de la cuchilla y rebote.
- f. **Las palancas de bloqueo del ajuste de la profundidad y el bisel de la cuchilla deben estar apretadas y aseguradas antes de realizar el corte.** Si el ajuste de la cuchilla cambia mientras se realiza el corte, esto puede provocar que la cuchilla se atasque y rebote.
- g. **Sea extremadamente precavido cuando realice un “corte por penetración” en paredes u otras áreas ciegas.** La cuchilla que sobresale puede cortar objetos que pueden provocar el rebote.






10. **Verifique que la guarda inferior esté bien cerrada antes de cada uso. No utilice la sierra si la guarda inferior no se mueve libremente y no se cierra inmediatamente. Nunca amarre o sujete la guarda inferior en la posición abierta.** Si se le cae la sierra accidentalmente, es posible que la guarda inferior se doble. Suba la guarda inferior con su palanca correspondiente y asegúrese de que se mueve libremente y de que no toca la cuchilla ni ninguna otra pieza en todos los ángulos y profundidades de corte.
11. **Revise el funcionamiento del resorte de la guarda inferior. Si la guarda y el resorte no están funcionando correctamente, se deben reparar antes del uso.** La guarda inferior puede funcionar lentamente debido a piezas dañadas, depósitos gomosos o acumulación de residuos.
12. **El protector inferior debe retraerse manualmente solamente para cortes especiales como “cortes por penetración” y “cortes compuestos”.** Suba la guarda inferior usando la palanca correspondiente y, tan pronto como la cuchilla entra en el material, se debe soltar la guarda inferior. Para todas las demás tareas de serrado la guarda inferior debe funcionar automáticamente.
13. **Observe siempre que la guarda inferior esté cubriendo la cuchilla antes de colocar la sierra sobre el banco o el suelo.** Una cuchilla funcionando por inercia y sin proteger hará que la sierra avance hacia atrás, cortando lo que sea que se encuentre en su camino. Esté atento al tiempo

que tarda la cuchilla en parar después de soltar el interruptor.

14. **No use discos abrasivos con las sierras circulares.** El polvo y las rebabas pueden hacer que la guarda inferior quede colgando y no funcione correctamente.
15. **Guarde las etiquetas y placas de especificaciones.** Estas tienen información importante. Si son ilegibles o si no se pueden encontrar, póngase en contacto con un centro de servicio de MILWAUKEE para una refacción gratis.
16. **ADVERTENCIA:** Algunas partículas de polvo resultantes del lijado mecánico, aserrado, esmerilado, taladrado y otras actividades relacionadas a la construcción, contienen sustancias químicas que se saben ocasionan cáncer, defectos congénitos u otros daños al aparato reproductivo. A continuación se citan algunos ejemplos de tales sustancias químicas:
 - plomo proveniente de pinturas con base de plomo
 - sílice cristalino proveniente de ladrillos, cemento y otros productos de albañilería y
 - arsénico y cromo provenientes de madera químicamente tratada.

El riesgo que usted sufre debido a la exposición varía dependiendo de la frecuencia con la que usted realiza estas tareas. Para reducir la exposición a estas sustancias químicas: trabaje en un área bien ventilada, y utilice equipo de seguridad aprobado como, por ejemplo, máscaras contra el polvo que hayan sido específicamente diseñadas para filtrar partículas microscópicas.

Simbología

	Con doble aislamiento
	Underwriters Laboratories, Inc., Estados Unidos y Canadá
	Volts de corriente alterna
	Tours-minute á vide (RPM)
	Amperios

TIERRA



ADVERTENCIA

Puede haber riesgo de descarga eléctrica si se conecta el cable de conexión de puesta a tierra incorrectamente. Consulte con un electricista certificado si tiene dudas respecto a la conexión de puesta a tierra del tomacorriente. No modifique el enchufe que se proporciona con la herramienta. Nunca retire la clavija de conexión de puesta a tierra del enchufe. No use la herramienta si el cable o el enchufe está dañado. Si está dañado antes de usarlo, llévelo a un centro de servicio MILWAUKEE para que lo reparen. Si el enchufe no se acopla al tomacorriente, haga que un electricista certificado instale un toma-corriente adecuado.

Algunos modelos se suministran con una clavija de seguridad de 20 A (NEMA L5-20).

Herramientas con conexión a tierra: Herramientas con enchufes de tres clavijas

Las herramientas marcadas con la frase "Se requiere conexión de puesta a tierra" tienen un cable de tres hilos y enchufes de conexión de puesta a tierra de tres clavijas. El enchufe debe conectarse a un tomacorriente debidamente conectado a tierra (véase la Figuras A y B). Si la herramienta se averiara o no funcionara correctamente, la conexión de puesta a tierra proporciona un trayecto de baja resistencia para desviar la corriente eléctrica de la trayectoria del usuario, reduciendo de este modo el riesgo de descarga eléctrica.

La clavija de conexión de puesta a tierra en el enchufe está conectada al sistema de conexión de puesta a tierra de la herramienta a través del hilo verde dentro del cable. El hilo verde debe ser el único hilo conectado al sistema de conexión de puesta a tierra de la herramienta y nunca se debe unir a una terminal energizada.

Su herramienta debe estar enchufada en un tomacorriente apropiado, correctamente instalado y conectado a tierra según todos los códigos y reglamentos. El enchufe y el tomacorriente deben asemejarse a los de la Figuras A y B.

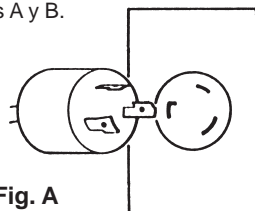


Fig. A

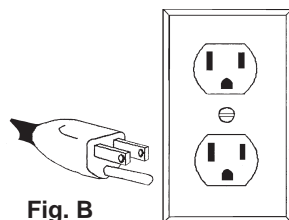


Fig. B

Herramientas con doble aislamiento: Herramientas con clavijas de dos patas

Las herramientas marcadas con "Doble aislamiento" no requieren conectarse "a tierra". Estas herramientas tienen un sistema aislante que satisface los estándares de OSHA y llena los estándares aplicables de UL (Underwriters Laboratories), de la Asociación Canadiense de Estándares (CSA) y el Código Nacional de Electricidad. Las herramientas con doble aislamiento pueden ser usadas en cualquiera de los toma corriente de 120 Volt mostrados en las Figuras C y D.

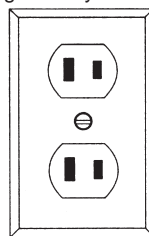


Fig. C

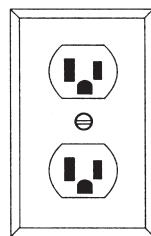


Fig. D

Especificaciones

Cat. No.	Diamètre de lame	Volts c.a.	T/Min. à vide	Arbre	Profondeur de coupe max. à 90°	Profondeur de coupe max. à 51.5°
6477-20	184 mm	120	4 400	Diamond	0 a 60 mm	0 a 38 mm
6577-20	(7-1/4 pulg.)				(0 to 2-3/8 pulg.)	(0 to 1-1/2 pulg.)

EXTENSIONES ELECTRICAS

Las herramientas que deben conectarse a tierra cuentan con clavijas de tres patas y requieren que las extensiones que se utilicen con ellas sean también de tres cables. Las herramientas con doble aislamiento y clavijas de dos patas pueden utilizarse indistintamente con extensiones de dos a tres cables. El calibre de la extensión depende de la distancia que exista entre la toma de la corriente y el sitio donde se utilice la herramienta. El uso de extensiones inadecuadas puede causar serias caídas en el voltaje, resultando en pérdida de potencia y posible daño a la herramienta. La tabla que aquí se ilustra sirve de guía para la adecuada selección de la extensión.

Mientras menor sea el número del calibre del cable, mayor será la capacidad del mismo. Por ejemplo, un cable calibre 14 puede transportar una corriente mayor que un cable calibre 16. Cuando use mas de una extensión para lograr el largo deseado, asegúrese que cada una tenga al menos, el mínimo tamaño de cable requerido. Si está usando un cable de extensión para mas de una herramienta, sume los amperes de las varias placas y use la suma para determinar el tamaño mínimo del cable de extensión.

LEA Y GUARDE TODAS LAS INSTRUCCIONES PARA FUTURAS REFERENCIAS.

Guías para el uso de cables de extensión

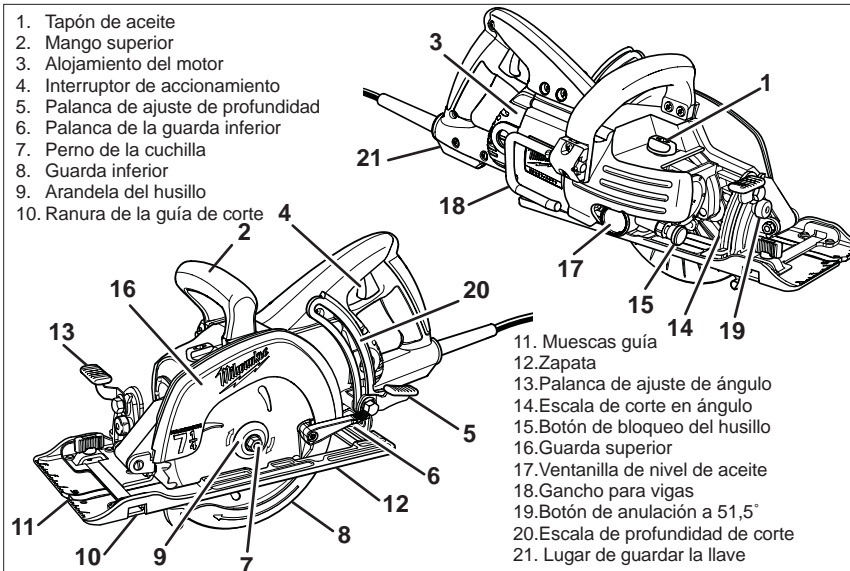
- Si está usando un cable de extensión en sitios al aire libre, asegúrese que está marcado con el sufijo "W-A" ("W" en Canadá) el cual indica que puede ser usado al aire libre.
- Asegúrese que su cable de extensión está correctamente cableado y en buenas condiciones eléctricas. Cambie siempre una extensión dañada o hágala reparar por una persona calificada antes de volver a usarla.
- Proteja su extensión eléctrica de objetos cortantes, calor excesivo o áreas mojadas.

Calibre mínimo recomendado para cables de extensiones eléctricas*

Amperios (En la placa)	Largo de cable de Extensión en (m)				
	7,6	15,2	22,8	30,4	45,7
0 - 2,0	18	18	18	18	16
2,1 - 3,4	18	18	18	16	14
3,5 - 5,0	18	18	16	14	12
5,1 - 7,0	18	16	14	12	12
7,1 - 12,0	16	14	12	10	
12,1 - 16,0	14	12	10		
16,1 - 20,0	12	10			

* Basado en limitar la caída en el voltaje a 5 volts al 150% de los amperios.

DESCRIPCION FUNCIONAL



ENSAMBLAJE DE LA HERRAMIENTA



ADVERTENCIA

Para reducir el riesgo de una lesión, desconecte siempre la herramienta antes de fijar o retirar accesorios, o antes de efectuar ajustes. Utilice sólo los accesorios específicamente recomendados. El uso de otros accesorios puede ser peligroso.



ADVERTENCIA

Use solamente accesorios con una velocidad nominal máxima, por lo menos, tan alta como las RPM que aparecen en la placa de identificación de la herramienta.

Selección de la cuchilla

Siempre use cuchillas afiladas. Las cuchillas sin filo tienden a sobrecargar la herramienta y aumentan la probabilidad de contragolpe (vea «Evite el contragolpe»). Se incluye una cuchilla combinada con la herramienta para uso general en madera. Seleccione la cuchilla apropiada para su trabajo. Sólo use cuchillas con husillos romboidales, y lea las instrucciones del fabricante antes de usar el producto.

Fig. 1 Corte longitudinal y corte transversal



Una cuchilla multiusos para corte longitudinal, corte transversal y corte en ángulo en maderas duras, maderas suaves, madera contrachapada y materiales compuestos.

Corte longitudinal encuadrado



Diseñada para un corte longitudinal rápido y preciso a lo largo del grano en maderas duras o suaves cuando no se necesita un corte transversal liso.

Madera contrachapada y veta de la madera



Se recomienda para cortar madera contrachapada, materiales compuestos y todo tipo de madera, cuando se necesita un acabado ligeramente más liso.

Corte y acabado

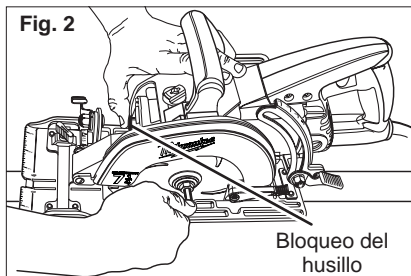


Diseñada especialmente para corte transversal y en ángulo en materiales que requieren un corte muy liso. También corta aluminio.

Instalación de la cuchilla

1. Para extraer el perno de la hoja del husillo, oprima el botón de bloqueo del husillo (Fig. 2) mientras hace girar el perno en el sentido de las manecillas del reloj con la llave hex. de 6 mm (suministrada con la herramienta) hasta que se bloquee el husillo. Extraiga la arandela exterior y arandela elástica.

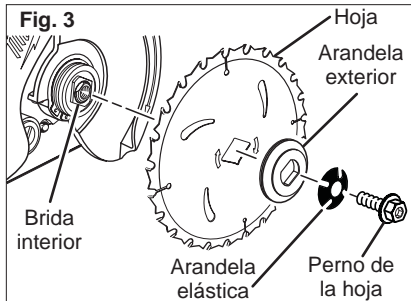
Fig. 2



Bloqueo del husillo

NOTA: No retire la brida interior de la següeta. El diámetro grande de la brida interior (Fig. 3) debe quedar orientado hacia la següeta.

Fig. 3



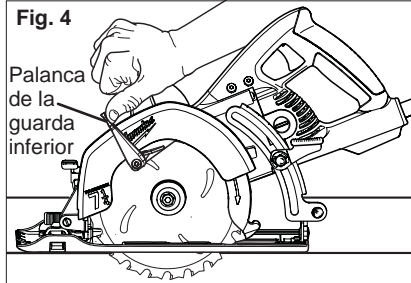
Brida interior

Hoja
Arandela exterior

Arandela elástica
Perno de la hoja

2. Mueva la palanca de la guarda inferior hacia arriba para levantar la guarda inferior (Fig. 4). Coloque la cuchilla sobre el husillo con los dientes apuntando en la misma dirección que la flecha ubicada en la guarda inferior. Suelte la palanca de la guarda inferior.

Fig. 4



Palanca de la guarda inferior

3. Coloque arandela exterior, arandela elástica y perno de la hoja en el husillo.
4. Oprima el botón de bloqueo del husillo mientras hace girar el perno en sentido contrario a las manecillas del reloj con la llave hex. de 6 mm hasta que se bloquee el husillo. Apriete firmemente el perno.
5. Para extraer la cuchilla, repita los pasos anteriores de manera inversa. Siempre limpie el polvo y el aserrín del husillo, arandelas y de las guardas superior e inferior después del uso.

Ajuste de la profundidad

1. Para ajustar la profundidad de corte, coloque la sierra sobre el borde de la mesa de trabajo y mueva hacia arriba la palanca de ajuste de profundidad.
2. Manteniendo la zapata plana contra la mesa de trabajo, levante o descienda la sierra a la posición deseada. Descender la sierra aumentará la profundidad del corte. Levantar la sierra disminuirá la profundidad del corte. Para seleccionar la profundidad de corte apropiada, la cuchilla no debe extenderse más de 6 mm (1/4 pulg.) por debajo del material a cortar. Use la escala de profundidad de corte para las profundidades de corte estándar.
3. Mueva hacia abajo la palanca de ajuste de profundidad para bloquear. Verifique que la palanca de ajuste de profundidad esté segura.

Ajuste del ángulo de corte

1. Para ajustar el ángulo de corte, coloque la sierra sobre el borde de la mesa de trabajo y mueva hacia arriba la palanca de ajuste de ángulo.
2. Mantenga fija la zapata y deslice la sierra a la posición deseada según las marcas de la escala de corte en ángulo (hasta 45°).
3. Para aumentar el ángulo de corte hasta 51,5°, presione el botón de anulación e incline la sierra hasta el ángulo deseado.
4. Mueva hacia abajo la palanca de corte en ángulo para bloquear. Verifique el ángulo con una escuadra. También cerciórese de que la palanca de ajuste de corte en ángulo esté segura antes de realizar el corte.

OPERACION



ADVERTENCIA

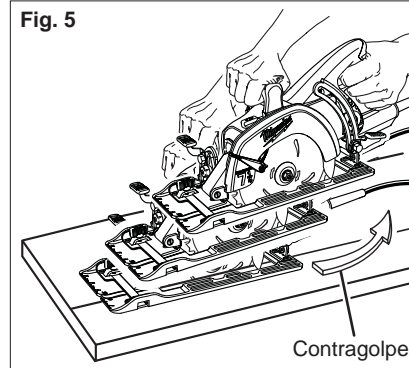
Para reducir el riesgo de una lesión, use siempre lentes de seguridad o anteojos con protectores laterales. Desconecte la herramienta antes de cambiar algún accesorio o de hacerle algún ajuste.

Cómo evitar el contragolpe

El contragolpe es una reacción repentina a una cuchilla aplastada, que podría ocasionar que una sierra que no está bajo control se levante de la pieza de trabajo y se dirija hacia el usuario. Tome las precauciones indicadas a continuación para ayudar a evitar el contragolpe.

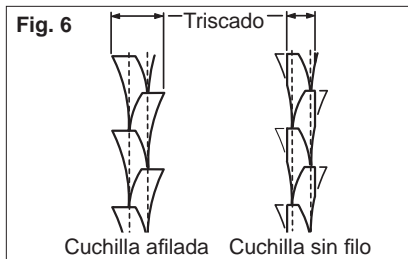
1. Mantenga un agarre firme y una correcta posición del cuerpo. Ponga los brazos y el cuerpo en posición para controlar la fuerza hacia arriba y en retroceso del contragolpe (Fig. 5).

Fig. 5

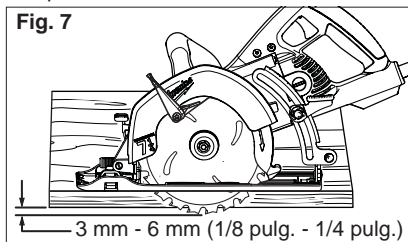


Contragolpe

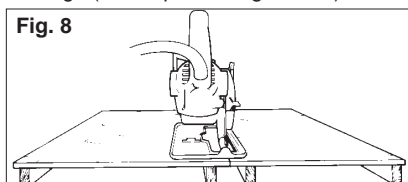
2. Mantenga las cuchillas afiladas y limpias. Una cuchilla afilada tiende a realizar el corte liberándose de una condición de aplastamiento. Una cuchilla sin filo produce una ranura angosta (ruta cortada por la cuchilla) y es probable que sea aplastada por la pieza de trabajo. Las cuchillas sin filo o de ruedas dentadas también hacen que el usuario fuerce la sierra, ocasionando así un menor control y el atoramiento de la cuchilla. Cualquier cuchilla con un triscado pequeño, aunque esté afilada, probablemente tendrá contragolpe (Fig. 6).



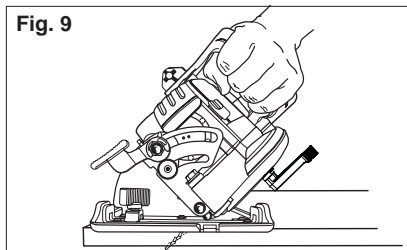
3. Ajuste la profundidad de corte a un máximo de 3 mm a 6 mm (1/8 pulg. a 1/4 pulg.) mayor que el grosor del material (Fig. 7). Al reducir la exposición de la cuchilla, menor será la probabilidad de atoramiento y de contragolpe. Antes de cortar, asegúrese de que los ajustes de profundidad y de corte en ángulo estén apretados.



4. Tenga precaución con el material resinoso, con nudos, húmedo o pandeado. Estos materiales seguramente crearán condiciones de atoramiento y posible contragolpe. No corte longitudinalmente una pieza de madera que tenga pandeo. Evite cortar clavos.
5. Proporcione un buen apoyo para la pieza de trabajo. Un material sin un apoyo adecuado puede hundirse o arquearse, y aplastar la cuchilla. Cuando corte hacia el centro de la pieza de trabajo, apoye el material a ambos lados del corte. Las planchas grandes de material delgado tales como paneles, fórmica, etc. deben contar con un buen apoyo en toda su longitud (Fig. 8) (vea «Corte de paneles grandes»). Cuando corte el extremo de la pieza de trabajo, haga descansar la sierra sobre la porción con apoyo fuera de los soportes y deje que el extremo cortado caiga (vea «Operación general»).



6. Siempre deje que la cuchilla se detenga completamente antes de retirar la sierra de la pieza de trabajo. Nunca extraiga la sierra de un corte mientras la cuchilla se encuentre en movimiento. Si vuelve a comenzar o corrige la dirección durante un corte parcial, deje que la cuchilla realice un paro libre, mueva la sierra hacia arriba unas cuantas pulgadas y céntrala en la ranura antes de volver a comenzar.
7. Manténgase alerta. Cualquier distracción puede ocasionar pandeo o atoramiento. Los cortes repetitivos pueden hacer que el usuario efectúe movimientos descuidados.
8. Tenga cuidado cuando haga cortes en bisel. Debido a la mayor cantidad de acoplamiento de la cuchilla con la pieza de trabajo y menor estabilidad de la zapata al hacer los cortes en bisel, puede ocurrir contragolpe si se hace mal uso de la cuchilla. Mantenga la zapata firme contra la pieza de trabajo.



9. No fuerce la herramienta. El forzar una sierra reduce el control y la eficiencia del corte.
10. Use la guía de corte o la guía de borde durante el corte longitudinal. Las guías aumentan el control y reducen el atoramiento de la cuchilla (vea «Corte longitudinal de madera»).
- Si ocurre contragolpe, continúe sujetando firmemente la sierra y suelte el gatillo inmediatamente.

Operación general

Siempre sujete con firmeza la pieza en un caballete o en un banco de trabajo. Consulte la sección «Aplicaciones» para determinar la manera correcta de apoyar su pieza de trabajo en situaciones diferentes. A continuación se muestra una aplicación típica.

1. Marque una línea de corte. Coloque la parte frontal de la zapata en el borde de la pieza de trabajo, sin hacer contacto con la cuchilla. Sujete el mango del interruptor con una mano y el mango superior con la otra.

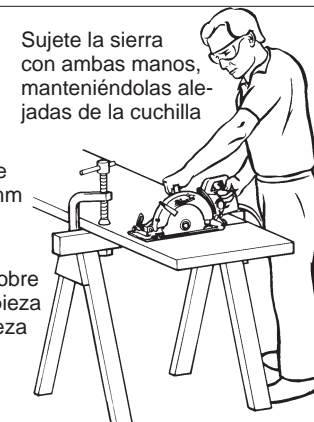
Fig. 10

Apriete la profundidad y el corte en ángulo ajustando las palancas de manera segura

Establezca la profundidad de corte en un valor 3 mm - 6 mm (1/8 pulg. - 1/4 pulg.) mayor que el grosor del material

Haga descansar la sierra sobre la parte más grande de la pieza de trabajo y deje caer la pieza más pequeña

Asegure la pieza de trabajo con apoyos resistentes



Use anteojos de seguridad

No use ropa suelta

Mantenga el cordón alejado de la cuchilla y de la ranura

Párese con firmeza en un área limpia

2. Alinee la muesca guía con la línea de corte. Coloque sus brazos y su cuerpo en posición para resistir el contragolpe. Tire del gatillo para permitir que el motor alcance la velocidad máxima antes de comenzar el corte. Al cortar, mantenga la zapata apoyada sobre la pieza de trabajo y sujete firmemente la herramienta. No fuerce la herramienta a través de la pieza de trabajo. Al forzar la herramienta puede ocasionar el contragolpe.
3. Al cortar, mantenga la zapata apoyada sobre la pieza de trabajo y sujete firmemente la herramienta. No fuerce la herramienta a través de la pieza de trabajo. Al forzar la herramienta puede ocasionar el contragolpe.
4. Al efectuar un corte parcial, al reanudar un corte o al corregir la dirección, deje que la cuchilla se detenga completamente. Para continuar el corte, con la cuchilla central en la ranura, retroceda la sierra del borde de corte unas cuantas pulgadas, tire del gatillo y reintroduzca el corte lentamente.
5. Si la sierra se bloquea, mantenga una sujeción firme y suelte el gatillo inme-

diatamente. Corrija el problema antes de continuar, (vea «Evite el contragolpe»).

6. Al terminar un corte, asegúrese de que la guarda inferior cierre y que la cuchilla se detenga completamente antes de colocar la sierra sobre el banco de trabajo.

Resolución de problemas

Si la cuchilla no sigue una línea recta:

- Los dientes están sin filo a un lado. Esto puede ocurrir al golpear contra un objeto duro como un clavo o una piedra, desafilando los dientes en un lado. La cuchilla quiere cortar hacia el lado con los dientes más afilados.
- La zapata está desalineada o doblada
- La cuchilla está doblada
- No se usó la guía de corte

Si la cuchilla se atora o se vuelve azul por la fricción:

- La cuchilla está desafilada
- La cuchilla está al revés
- La cuchilla está doblada
- La cuchilla está sucia
- La pieza de trabajo no está apoyada debidamente
- No se usó la cuchilla correcta

APLICACIONES

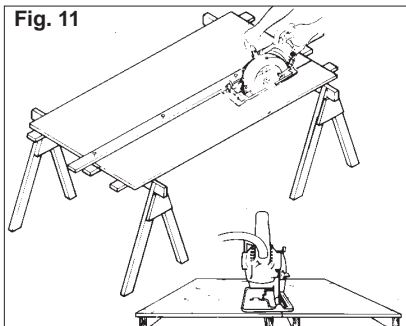


ADVERTENCIA

Para reducir el riesgo de explosión, electrocución y daño a la propiedad, antes de taladrar verifique siempre que en el área de trabajo no hayan tuberías o cables ocultos.

Corte de paneles grandes

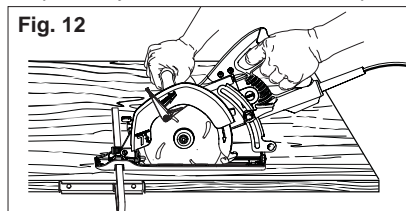
Los paneles grandes y las tablas largas se flexionan o pandean si no se apoyan correctamente. Si intenta cortar la pieza de trabajo sin apoyarla y nivelarla debidamente, la cuchilla tenderá a atorarse, y ocasionará un contragolpe.



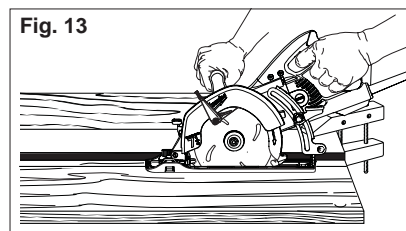
Proporcione apoyo para los paneles grandes. Asegúrese de ajustar la profundidad de corte de manera que sólo corte la pieza de trabajo y no los apoyos.

Corte longitudinal de madera

El corte longitudinal es un corte en la dirección del grano. Seleccione la cuchilla correcta para el trabajo. Use una guía de corte para cortes longitudinales de 100 mm (4 pulg.) o menos (Fig. 13). Para instalar una guía de corte, deslice la barra a través de la ranura de la guía de corte a cada lado de la zapata. Realice el ajuste del ancho deseado alineando la medición seleccionada con la muesca guía y bloquee el ajuste con el tornillo de mariposa.

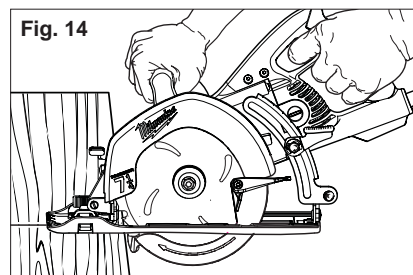


Al efectuar cortes con anchos mayores de 100 mm (4 pulg.), presione o clave una pieza de madera de 25 mm (1 pulg.) a la pieza de trabajo a modo de guía (Fig. 13).



Corte transversal de madera

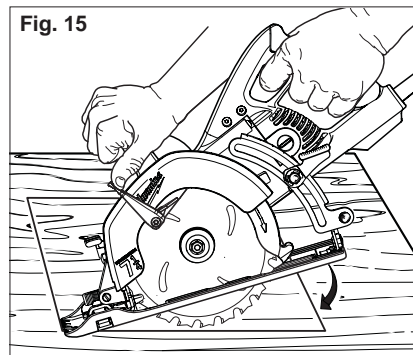
El corte transversal es un corte contra el grano. Seleccione la cuchilla correcta para el trabajo. Avance lentamente la sierra para evitar la tendencia de las fibras de madera a rasgarse y levantarse.



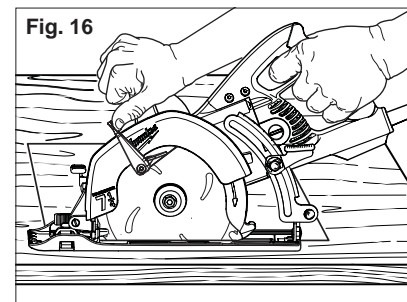
Corte de cavidades

Los cortes de cavidades se realizan en el centro de la pieza de trabajo cuando no se puede efectuar el corte desde un borde. Recomendamos usar una sierra Sawzall® para este tipo de corte. Sin embargo, si es necesario usar una sierra circular para realizar un corte de cavidad, TENGA SUMA PRECAUCION.

1. Comenzando por una esquina, alinee la muesca guía con la línea de corte. Incline la sierra hacia adelante, fijando firmemente el frente de la zapata en la pieza de trabajo. La cuchilla debe quedar colocada justo encima de la línea de corte, pero sin hacer contacto la misma. Eleve la guarda inferior mediante la palanca de la guarda inferior.
2. Tire del gatillo. Permita que la hoja alcance su velocidad máxima. Usando el frente de la zapata como punto de pivote, descienda gradualmente la parte posterior de la sierra en la pieza de trabajo (Fig. 15).



3. Cuando la zapata esté completamente apoyada sobre la pieza de trabajo (Fig. 16), mueva la sierra hacia la esquina opuesta. Suelte el gatillo y deje que la cuchilla se detenga completamente antes de extraerla de la pieza de trabajo. Repita los pasos anteriores para cada lado de la abertura. Use una sierra Sawzall®, una sierra caladora o un serrucho pequeño para terminar las esquinas que no estén cortadas completamente.



Corte en mampostería y metales

Las sierras circulares de MILWAUKEE no son para uso continuo en cortes de metales o mampostería. Cuando se corten estos materiales, use la segueta correcta.

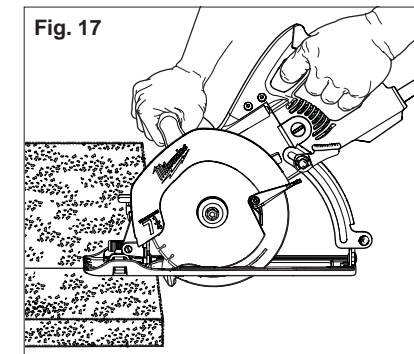
ADVERTENCIA

El polvo, las rebabas y el grano pueden hacer que la guarda deje de funcionar en cualquier momento. Si se usa la sierra para cortar mampostería o metales, resérvela y márkela para ese uso únicamente, y llévela a un centro de servicio MILWAUKEE para su limpieza y prueba antes de usarla para cortes de madera.

ADVERTENCIA

Use solamente accesorios con una velocidad nominal máxima, por lo menos, tan alta como las RPM que aparecen en la placa de identificación de la herramienta.

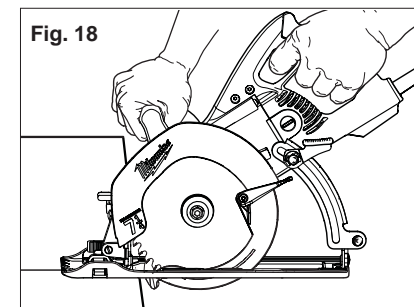
Cuando corte mampostería, use una segueta de diamante. Realice pasadas sucesivas a profundidades de menos de 6,35 mm (1/4 pulg.) a fin de lograr la profundidad deseada. Realizar cortes a una profundidad de más de 6,35 mm (1/4 pulg.) dañará el disco. Desenchufe la herramienta y limpie frecuentemente el polvo de las aberturas de ventilación y de las guardas.



ADVERTENCIA

No use la herramienta para cortar metales cerca de materiales inflamables. Las chispas pueden provocar un incendio.

Cuando corte metales, use una segueta para cortar metal. Fije la profundidad de corte a la profundidad máxima. Proteja a todas las personas que se encuentren en el área de las chispas.



MANTENIMIENTO



ADVERTENCIA

Para reducir el riesgo de lesiones, desconecte siempre la herramienta antes de darle cualquier mantenimiento. Nunca desarme la herramienta ni trate de hacer modificaciones en el sistema eléctrico de la misma. Acuda siempre a un Centro de Servicio MILWAUKEE para TODAS las reparaciones.

Mantenimiento de las herramientas

Adopte un programa regular de mantenimiento y mantenga su herramienta en buenas condiciones. Antes de usarla, examine las condiciones generales de la misma. Inspeccione guardas, interruptores, el cable de la herramienta y el cable de extensión. Busque tornillos sueltos o flojos, defectos de alineación y dobleces en partes móviles, así como montajes inadecuados, partes rotas y cualquier otra condición que pueda afectar una operación segura. Si detecta ruidos o vibraciones anormales, apague la herramienta de inmediato y corrija el problema antes de volver a usarla. No utilice una herramienta dañada. Colóquela una etiqueta que diga "NO DEBE USARSE" hasta que sea reparada (vea "Reparaciones").

Bajo condiciones normales, no se requiere lubricación hasta que haya que cambiar los carbones. Después de 6 meses a un año, dependiendo del uso dado, envíe su herramienta al Centro de Servicio MILWAUKEE más cercano para que le hagan:

- Lubricación
- Inspección y cambio de carbones
- Inspección mecánica y limpieza (engranes, flechas, baleros, carcarza, etc.)
- Inspección eléctrica (interruptor, cable, armadura, etc.)
- Probarla para asegurar una operación mecánica y eléctrica adecuada.

Cómo mantener el nivel de aceite

Verifique el uso del nivel de aceite. Para controlar el nivel, prepare la sierra para la profundidad de corte máxima, apóyela en posición horizontal sobre su zapata y controle la ventanilla de nivel de aceite. El nivel de aceite debe encontrarse por debajo de la línea de nivel máximo de aceite en la herramienta [aproximadamente 14 ml (1/2 oz.)].

Si el nivel de aceite es bajo:

1. Ajuste la sierra en su zapata y retirando el tapón de aceite.
2. Vierta el aceite en la cámara. NO LLENE DEMASIADO.
3. Cuando se haya alcanzado el nivel de aceite correcto, vuelva a colocar el tapón de aceite.

El aceite MILWAUKEE es un aceite sintético diseñado específicamente para las sierras con engranaje sin fin. Otros tipos de aceite podrían ocasionar daño a la herramienta y no rendir un buen trabajo a varias temperaturas. Verifique el nivel de aceite con frecuencia cuando utilice la herramienta durante períodos prolongados. (Precaución: El aceite podría estar caliente).



ADVERTENCIA

Para reducir el riesgo de lesiones, descarga eléctrica o daño a la herramienta, nunca la sumerja en líquidos ni permita que estos fluyan dentro de la misma.

Limpieza

Limpie el polvo y suciedad de las ventilas. Mantenga las empuñaduras de la herramienta limpias, secas y libres de aceite y grasa. Use sólo jabón neutro y un trapo húmedo para limpiar su herramienta ya que algunas sustancias y disolventes limpiadores pueden ocasionar daños a materiales plásticos y partes aislantes. Algunos de estos incluyen: gasolina, trementina, diluyente para barniz, diluyente para pintura, disolventes limpiadores clorados, amoníaco, y detergentes caseros que contengan amoníaco.

Reparaciones

Si su instrumento se daña, vuelva el instrumento entero al más cercano centro de reparaciones.

ACCESORIOS



ADVERTENCIA

Para reducir el riesgo de lesiones, desconecte siempre su herramienta antes de colocar o retirar un accesorio. Use solo accesorios recomendados específicamente. Otros pueden ser peligrosos.

Para una lista completa de accesorios, refiérase a su catálogo MILWAUKEE Electric Tool o visite nuestro sitio en Internet: www.milwaukeetool.com. Para obtener un catálogo, contacte su distribuidor local o uno de los centros.

Juego de guías de corte
Cat. No. 50-09-1000

Estuche portátil de acero
Cat. No. 48-55-1101

Aceite para la sierra accionada por tornillo sin fin
Cat. No. 49-32-2600 - 237 ml (1/2 pt.)

Cuchillas de sierra circular Endurance™
Diseño de vida útil extra larga y cuchillas para acabado. Para obtener una lista de las cuchillas, vea el catálogo de Herramientas eléctricas MILWAUKEE.

GARANTÍA LIMITADA DE CINCO AÑOS

Cada herramienta eléctrica MILWAUKEE (incluyendo el cargador de batería) está garantizada sólo al comprador original de estar libre de defectos en el material y la mano de obra. Sujeto a ciertas excepciones, MILWAUKEE reparará o reemplazará por un período de cinco (5) años* después de la fecha de compra cualquier pieza en una herramienta eléctrica que, después de haber sido examinada, MILWAUKEE determine que está defectuosa en el material o la mano de obra. Regrese la herramienta eléctrica y una copia de la prueba de compra a un concesionario de soporte de ventas/servicio de fábrica MILWAUKEE o a una estación de servicio autorizada MILWAUKEE. Para que esta garantía sea efectiva, se requiere el flete pagado por anticipado y el seguro. Esta garantía no aplica a los daños que MILWAUKEE determine sean ocasionados por reparaciones o intentos de reparación por cualquier otro que personal autorizado por MILWAUKEE, uso indebido, alteraciones, abuso, desgaste y deterioro normal, falta de mantenimiento o accidentes.

* El plazo de garantía para los montacargas (de palanca, de cadena manual y de cadena eléctrica), de todas las baterías de Ni-Cd, de las linternas de trabajo (inalámbricas), de los radios para el lugar de trabajo, y de los carros Trade Titan™ para trabajo industrial es de un (1) año a partir de la fecha de compra. *El plazo de garantía para las baterías de iones de litio que no incluyan tecnología V™ (desde 4,0 voltios hasta 18,0 voltios) es de dos (2) años a partir de la fecha de compra.

*Existe una garantía por separado para las baterías de iones de litio con tecnología V™ (de 18 voltios o más) que viene incluida con las herramientas eléctricas que poseen tecnología V™:

*Cada batería de iones de litio de tecnología V™ de MILWAUKEE de 18 voltios o superior, está cubierta con una garantía de reemplazo gratuito por las primeras 1000 cargas/2 años. Esto significa que por lo que suceda primero, las primeras 1000 cargas o dos (2) años de la fecha de compra/primer carga, se proporcionará sin cargo al cliente, una batería de reemplazo por cualquier batería defectuosa. A partir de entonces, los clientes recibirán una garantía adicional en una base proporcional que puede ser hasta de las primeras 2000 cargas o cinco (5) años de la fecha de compra/primer carga, lo que suceda primero. Esto significa que cada cliente obtiene una garantía proporcional de 1000 cargas o tres (3) años adicionales en la batería de iones de litio de tecnología V™ de 18 voltios o superior, dependiendo de la cantidad de uso. Durante este período adicional de garantía, el cliente paga por sólo el servicio utilizable recibido durante y superior a las primeras 1000 cargas/2 años, de acuerdo a la fecha de la primera carga y al número de cargas encontradas en la batería a través del lector de servicio de tecnología V™ de MILWAUKEE.

El registro de la garantía no es necesario para obtener la garantía aplicable en un producto MILWAUKEE. Sin embargo, se requiere un recibo de compras u otra información similar que MILWAUKEE considere suficiente.

LA ACEPTACIÓN DE LOS REMEDIOS EXCLUSIVOS DE REPARACIÓN Y REEMPLAZO AQUÍ DESCRITOS ES UNA CONDICIÓN DEL CONTRATO EN LA COMPRA DE CADA PRODUCTO MILWAUKEE. SI NO ESTÁ DE ACUERDO CON ESTA CONDICIÓN, NO DEBERÍA COMPRAR ESTE PRODUCTO. EN NINGÚN CASO MILWAUKEE SERÁ RESPONSABLE POR CUALESQUIER DAÑO PUNITIVO, CONSECUENTE, ESPECIAL, INCIDENTAL O POR CUALESQUIER COSTO, HONORARIOS DE ABOGADO, GASTOS, PÉRDIDAS O RETRASOS QUE SE ARGUMENTE QUE SEAN UNA CONSECUENCIA DE CUALQUIER DAÑO A, FALLA DE, O DEFECTO EN CUALQUIER PRODUCTO, INCLUYENDO, PERO SIN LIMITARSE A, CUALQUIER RECLAMO POR PÉRDIDAS DE GANANCIAS. ESTA GARANTÍA ES EXCLUSIVA Y REEMPLAZA TODAS LAS DEMÁS GARANTÍAS O CONDICIONES, ORALES O ESCRITAS, EXPRESAS O IMPLÍCITAS, SIN LIMITAR LA GENERALIDAD DE LO ANTERIOR, MILWAUKEE RENUNCIA A TODA GARANTÍA IMPLÍCITA DE COMERCIABILIDAD O APTITUD PARA UN FIN O USO ESPECÍFICO Y DEMÁS GARANTÍAS.

Esta garantía es válida solamente en el producto vendido en los Estados Unidos, México y Canadá.

UNITED STATES - MILWAUKEE Service

MILWAUKEE prides itself in producing a premium quality product that is NOTHING BUT HEAVY DUTY®. Your satisfaction with our products is very important to us!

If you encounter any problems with the operation of this tool, or you would like to locate the *factory Service/Sales Support Branch* or *authorized service station*

nearest you, please call...

1-800-SAWDUST

(1.800.729.3878)

NATIONWIDE TOLL FREE

Monday-Friday • 8:00 AM - 4:30 PM • Central Time

or visit our website at

www.milwaukeetool.com

For service information, use the 'Service Center Search' icon found in the 'Parts & Service' section.

Additionally, we have a nationwide network of *authorized* Distributors ready to assist you with your tool and accessory needs. Check your "Yellow Pages" phone directory under "Tools-Electric" for the names & addresses of those nearest you or see the 'Where To Buy' section of our website.

Corporate After Sales Service - Technical Support
Brookfield, Wisconsin USA

•Technical Questions •Service/Repair Questions •Warranty

1-800-SAWDUST

(1.800.729.3878) fax: 1.800.638.9582

email: metproductsupport@milwaukeetool.com

Monday-Friday • 8:00 AM - 4:30 PM • Central Time

Canada - Service MILWAUKEE

MILWAUKEE est fier de proposer un produit de première qualité NOTHING BUT HEAVY DUTY®. Votre satisfaction est ce qui compte le plus!

En cas de problèmes d'utilisation de l'outil ou pour localiser le centre de service/ventes ou le *centre d'entretien* le plus proche, appelez le...

416.439.4181

fax: 416.439.6210

Milwaukee Electric Tool (Canada) Ltd

755 Progress Avenue
Scarborough, Ontario M1H 2W7

Notre réseau national de distributeurs *agréés* se tient à votre disposition pour fournir l'aide technique, l'outillage et les accessoires nécessaires. Composez le 416.439.4181 pour obtenir les noms et adresses des revendeurs les plus proches ou bien consultez la section «Où acheter» sur notre site web à l'adresse

www.milwaukeetool.com

MEXICO - Soporte de Servicio MILWAUKEE

Milwaukee Electric Tool, S.A. de C.V.

Blvd. Abraham Lincoln no. 13
Colonia Los Reyes Zona Industrial
Tlalnepantla, Edo. México C.P. 54073
Tel. (55) 5565-1414 Fax: (55) 5565-6874

Adicionalmente, tenemos una red nacional de distribuidores *autorizados* listos para ayudarle con su herramienta y sus accesorios. Por favor, llame al (55) 5565-1414 para obtener los nombres y direcciones de los más cercanos a usted, o consulte la sección 'Where to buy' (Dónde comprar) de nuestro sitio web en

www.milwaukeetool.com

MILWAUKEE ELECTRIC TOOL CORPORATION

13135 West Lisbon Road • Brookfield, Wisconsin, U.S.A. 53005

58-14-6477d4

06/07

Printed in China