



SERVICE PARTS LIST

BULLETIN NO.
54-08-1301

SPECIFY CATALOG NO. AND SERIAL NO. WHEN ORDERING PARTS		REVISED BULLETIN 54-08-1300	DATE June 2007
1/2" REVERSING DRILL			
CATALOG NO.	1007-1	STARTING SERIAL NO.	628E
		WIRING INSTRUCTION 58-01-0296	



EXAMPLE:
Component Parts (Small #)
Are Included When Ordering
The Assembly (Large #).

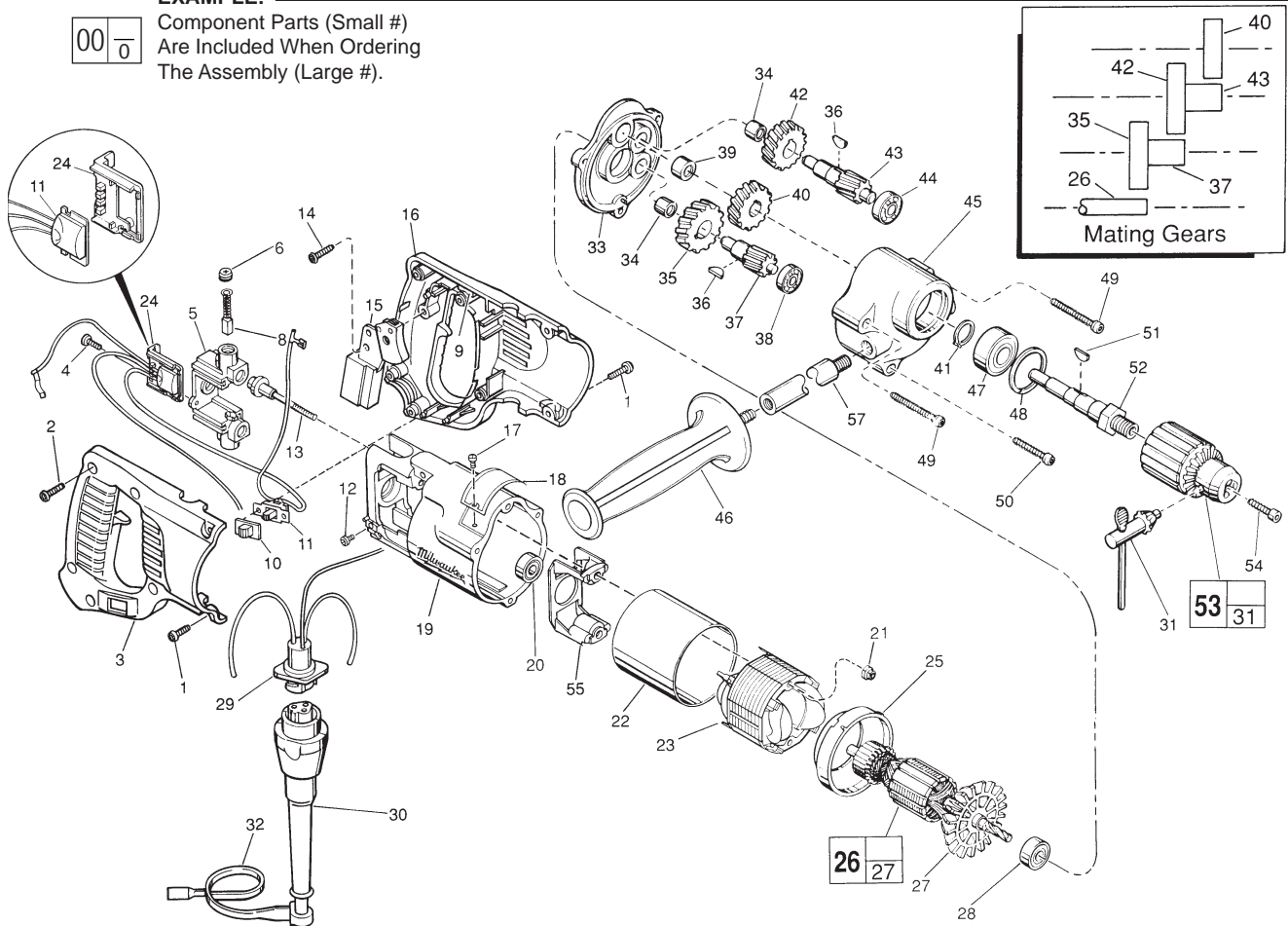


FIG.	PART NO.	DESCRIPTION OF PART	NO. REQ.
	1	06-82-5316 8-32 x 1/2" Slit. Pan Hd. Taptite T-20	(4)
	2	06-82-7270 8-16 x 5/8" Pan Hd. Plastite T-20	(5)
	3	31-44-1661 Right Handle Half	(1)
	4	06-95-0075 6-32 x 3/8" Truss Hd. Taptite T-10	(2)
	5	22-22-1380 Brush Holder Assembly	(1)
	6	23-44-0190 Brush Retaining Cap	(2)
	8	22-18-0910 Carbon Brush Assembly	(2)
	9	14-46-1001 Foam Slug Kit-10 Slugs	(1)
	10	31-12-0196 Switch Cap	(1)
★	11	14-20-0377 Remote Switch Assembly	(1)
	12	06-95-5150 6-32 x 1/4" Hex Hd. Taptite Sems	(1)
	13	06-81-1060 8-32 x 2-1/4" Field Bolt	(2)
	14	06-82-7270 8-16 x 5/8" Pan Hd. Plastite T-20	(1)
★	15	23-66-0205 Switch	(1)
	16	31-44-1666 Left Handle Half	(1)
	17	06-72-1720 Nameplate Rivet	(2)
	18	12-99-1750 Service Nameplate	(1)
	19	28-50-6220 Motor Housing	(1)
	20	02-04-0845 Ball Bearing	(1)
	21	06-57-2975 8-32 Flexlock Hex Nut	(2)
	22	23-16-0456 Field Insulator	(1)
	23	18-31-0600 120 V. Field	(1)
	24	43-72-0176 Heat Sink Holder	(1)
	25	31-05-0055 Baffle	(1)
	26	16-30-0226 120 V. Armature	(1)
	27	22-84-0531 Fan Assembly	(1)
	28	02-04-0911 Ball Bearing	(1)
★	29	22-56-0815 Pin Housing Assy.	(1)
	30	48-76-4008 Cord Set	(1)
	31	48-66-3280 Chuck Key	(1)
	32	48-66-4040 Key Holder	(1)
	33	28-28-0611 Diaphragm	(1)

FIG.	PART NO.	DESCRIPTION OF PART	NO. REQ.
	34	02-50-1640 Needle Bearing	(2)
	35	32-40-1251 Intermediate Gear	(1)
	36	06-42-0800 Woodruff Key	(2)
	37	36-66-2811 Intermediate Shaft	(1)
	38	02-04-0640 Ball Bearing	(1)
	39	02-50-2440 Needle Bearing	(1)
	40	32-75-2066 Spindle Gear	(1)
	41	34-60-1200 Retaining Ring	(1)
	42	32-75-2051 2nd Intermediate Gear	(1)
	43	36-66-4012 2nd Intermediate Shaft	(1)
	44	02-04-0820 Ball Bearing	(1)
	45	28-14-1922 Gear Case	(1)
	46	43-62-1265 Side Handle	(1)
	47	02-04-1536 Ball Bearing	(1)
	48	34-80-2500 Retaining Ring	(1)
	49	06-82-5532 8-32 x 2-1/2" Pan Hd. Taptite T-20	(2)
	50	06-82-5432 8-32 x 1-5/8" Pan Hd. Taptite T-20	(1)
	51	06-42-2000 Woodruff Key	(1)
	52	38-50-5475 Spindle	(1)
	53	48-66-1360 1/2" Chuck	(1)
	54	06-75-3150 1/4-20 x 1" L.H. Skt. Cap Screw	(1)
	55	31-55-0190 Coil Shield	(1)
	57	43-62-1170 Side Handle Extension	(1)

FIG. LUBRICATION:
45 3-3/4 Oz. Type "A" Grease, No. 49-08-0800.

FIG. NOTES:
46 Apply Red Loctite To Threads Of Side Handle.