



SERVICE PARTS LIST

BULLETIN NO.
54-24-2650

SPECIFY CATALOG NO. AND SERIAL NO. WHEN ORDERING PARTS		REVISED BULLETIN	DATE
M18 7/8" SDS Rotary Hammer			Nov. 2013
CATALOG NO. 2605-20	STARTING SERIAL NO. D14A	WIRING INSTRUCTION SEE PAGE 4	

EXAMPLE:
Component Parts (Small #) Are Included
When Ordering The Assembly (Large #).

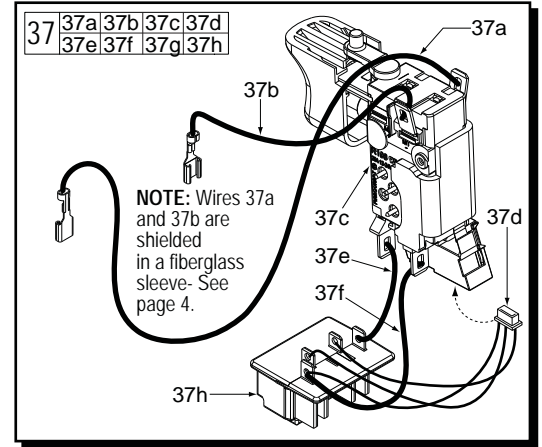
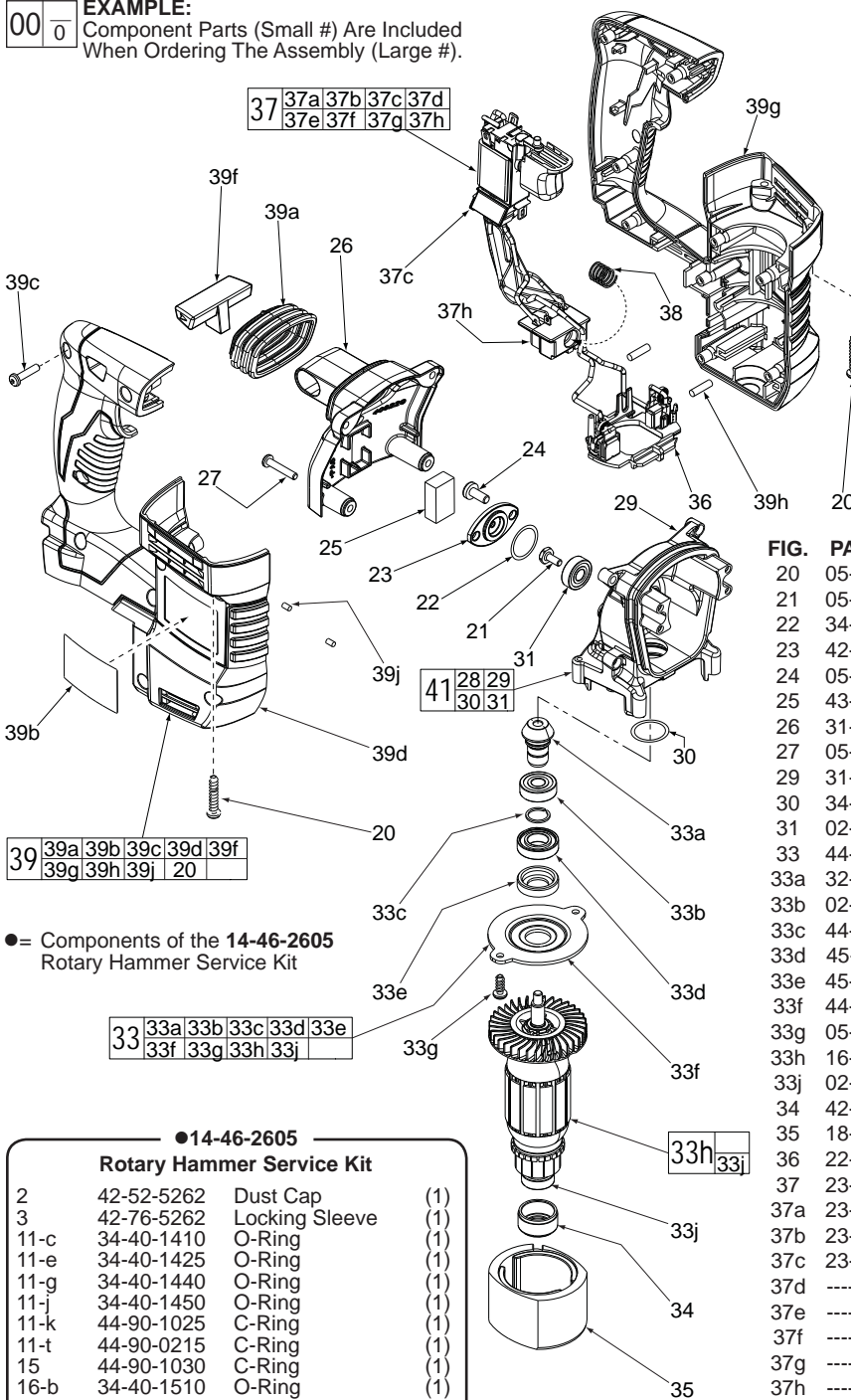


FIG.	PART NO.	DESCRIPTION OF PART	NO. REQ.
20	05-78-0870	● M4 x 0.7 x 24mm Taptite Screw (4 of 8)	(4)
21	05-74-1020	● M4 x .07 x 10mm Screw	(1)
22	34-40-1570	● O-Ring	(1)
23	42-92-1625	Bearing Cover	(1)
24	05-74-1030	● M5 x 0.8 x 12mm Taptite Screw	(2)
25	43-84-1050	● Felt Block	(1)
26	31-15-1300	Gear Housing Cover	(1)
27	05-74-1060	● M4 x 1.79 x 22mm ST Screw	(4)
29	31-15-3100	Crankcase	(1)
30	34-40-1640	● O-Ring	(1)
31	02-04-5385	Ball Bearing	(1)
33	44-66-1725	Bearing End Plate Assembly	(1)
33a	32-60-1600	Pinion	(1)
33b	02-04-2150	Ball Bearing	(1)
33c	44-90-1060	● C-Ring	(1)
33d	45-06-1100	● Lip Seal Ring	(1)
33e	45-36-1800	Sleeve	(1)
33f	44-66-1575	Bearing End Plate	(1)
33g	05-78-0910	M4 x 0.7 x 12mm Taptite Screw	(2)
33h	16-01-1200	Armature	(1)
33j	02-04-5385	Ball Bearing	(1)
34	42-96-0400	● Bearing Cup	(1)
35	18-01-2150	Field	(1)
36	22-22-1800	● Brush Holder Assembly	(1)
37	23-66-3010	Switch and Terminal Block Assembly	(1)
37a	23-94-1970	Red Leadwire Assembly	(1)
37b	23-94-1975	Black Leadwire Assembly	(1)
37c	23-66-0427	Switch with Battery Leadwires (37e & 37f)	(1)
37d	-----	3 Wire Assy. for Switch and Terminal Block	(1)
37e	-----	Leadwire	(1)
37f	-----	Leadwire	(1)
37g	-----	Ferrite Bead (Not Shown)	(2)
37h	-----	Terminal Block Assembly	(1)
38	40-50-1090	Terminal Block Spring	(1)
39	31-50-2460	Motor Housing Assembly	(1)
39a	43-87-0150	Rubber Insulation Bellows	(1)
39b	12-20-2605	Service Nameplate	(1)
39c	05-81-5262	● M4 x 1.4 x 18mm Taptite Screw	(9)
39d	-----	Motor Housing Cover	(1)
39f	45-24-1020	Forward/Reverse Shuttle	(1)
39g	-----	Motor Housing Support	(1)
39h	45-30-1980	4 x 15 Pin	(2)
39j	45-30-1990	3 x 5 Pin	(2)
41	14-09-0100	Crankcase Assembly	(1)

● = Components of the 14-46-2605
Rotary Hammer Service Kit

39	39a	39b	39c	39d	39f
	39g	39h	39j	20	

●14-46-2605
Rotary Hammer Service Kit

2	42-52-5262	Dust Cap	(1)
3	42-76-5262	Locking Sleeve	(1)
11-c	34-40-1410	O-Ring	(1)
11-e	34-40-1425	O-Ring	(1)
11-g	34-40-1440	O-Ring	(1)
11-j	34-40-1450	O-Ring	(1)
11-k	44-90-1025	C-Ring	(1)
11-t	44-90-0215	C-Ring	(1)
15	44-90-1030	C-Ring	(1)
16-b	34-40-1510	O-Ring	(1)
19	45-88-5200	Washer	(2)
20	05-78-0870	Taptite Screw	(8)
21	05-74-1020	M Screw	(1)
22	34-40-1570	O-Ring	(1)
24	05-74-1030	Taptite Screw	(2)
25	43-84-1050	Felt Block	(1)
27	05-74-1060	ST Screw	(4)
28	43-44-1375	Gasket	(1)
30	34-40-1640	O-Ring	(1)
32-a	44-90-1180	C-Ring	(1)
33-c	44-90-1060	C-Ring	(1)
33-d	45-06-1100	Lip Seal Ring	(1)
34	42-96-0400	Bearing Cup	(1)
36	22-22-1800	Brush Holder Assy.	(1)
39-c	05-81-5262	Taptite Screw	(9)
	49-08-5350	'P' Grease 100g tube	(1)
	49-08-5345	'Q' Grease 45g tube	(1)

● = Components of the 14-46-2605 Rotary Hammer Service Kit

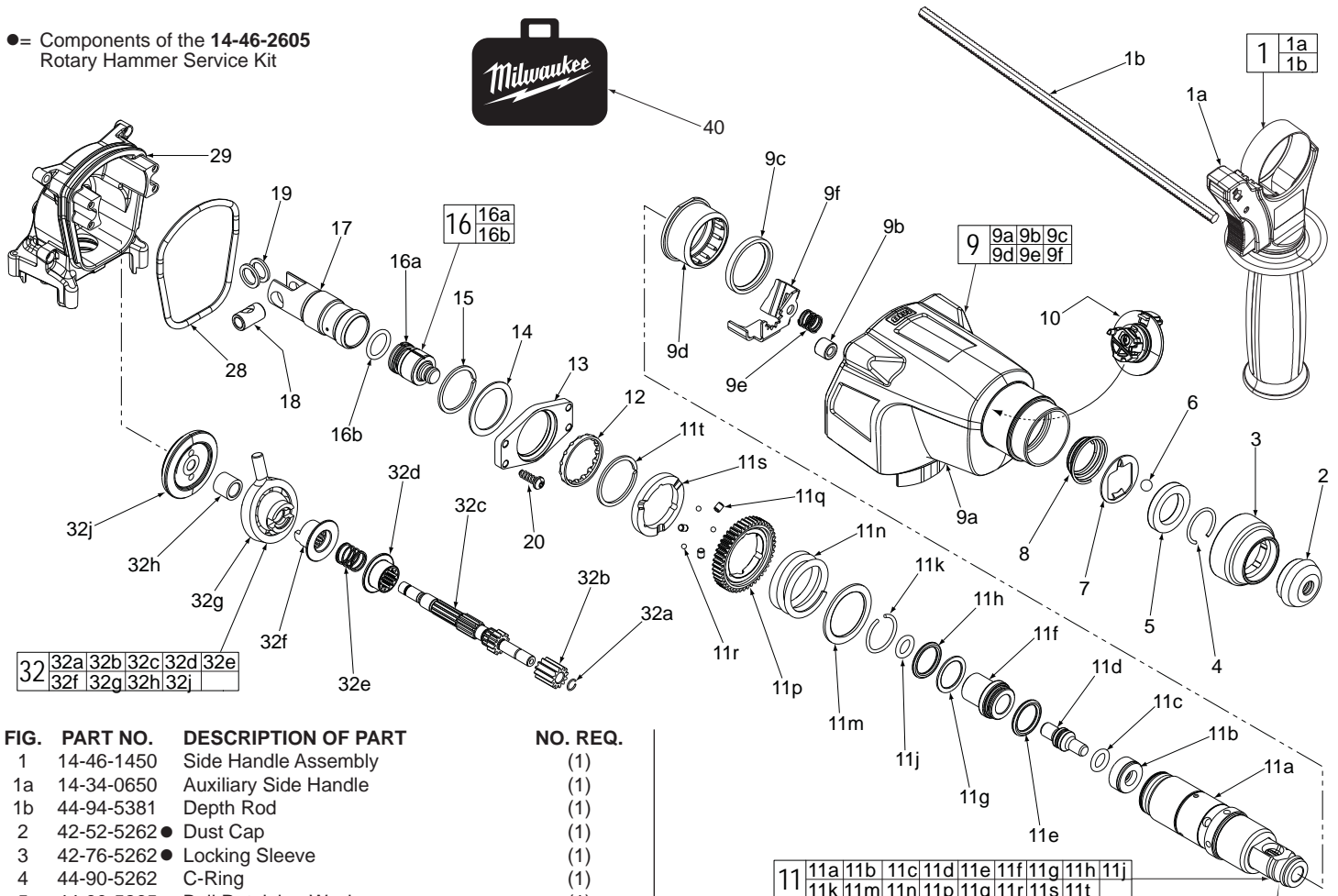


FIG.	PART NO.	DESCRIPTION OF PART	NO. REQ.
1	14-46-1450	Side Handle Assembly	(1)
1a	14-34-0650	Auxiliary Side Handle	(1)
1b	44-94-5381	Depth Rod	(1)
2	42-52-5262 ●	Dust Cap	(1)
3	42-76-5262 ●	Locking Sleeve	(1)
4	44-90-5262	C-Ring	(1)
5	44-90-5265	Ball Retaining Washer	(1)
6	02-02-0275	7mm Steel Ball	(1)
7	42-36-5262	Ball Support Plate	(1)
8	40-50-5262	Conical Spring	(1)
9	31-40-0600	Gearcase Assembly	(1)
9a	-----	Gear Housing	(1)
9b	-----	Needle Bearing	(1)
9c	-----	Oil Shield	(1)
9d	-----	Needle Bearing	(1)
9e	40-50-0870	Spring	(1)
9f	44-90-1010	Locking Plate	(1)
10	44-10-5262	Shift Lever	(1)
11	45-22-0850	Spindle Sleeve Assembly	(1)
11a	38-50-0775	Spindle	(1)
11b	45-88-2100	Stop Washer	(1)
11c	34-40-1410 ●	O-Ring	(1)
11d	45-08-0650	Striker (Anvil)	(1)
11e	34-40-1425 ●	O-Ring	(1)
11f	45-22-0870	Sleeve	(1)
11g	34-40-1440 ●	O-Ring	(1)
11h	42-76-1000	Thrust Collar	(1)
11j	34-40-1450 ●	O-Ring	(1)
11k	44-90-1025 ●	C-Ring	(1)
11m	45-88-2115	Washer	(1)
11n	40-50-1720	Clutch Spring	(1)
11p	32-75-1830	Spindle Gear	(1)
11q	44-96-0300	Roller	(3)
11r	02-02-1230	Steel Ball	(3)
11s	42-70-0780	Clutch Disc	(1)
11t	44-90-0215 ●	C-Ring	(1)
12	02-80-1750	Spindle Bearing	(1)
13	42-36-2190	Bearing Bar Mounting Bracket	(1)
14	45-88-5230	Washer	(1)
15	44-90-1030 ●	C-Ring	(1)
16	44-82-5262	Striker and O-Ring Assembly	(1)
16a	45-56-0300	Ram	(1)
16b	34-40-1510 ●	O-Ring	(1)
17	44-62-5262	Piston	(1)
18	44-60-5262	Wrist Pin	(1)
19	45-88-5200 ●	Washer	(2)
20	05-78-0870 ●	M4 x 0.7 x 24mm Taptite Screw (4 of 8)	(4)
28	43-44-1375 ●	Gasket	(1)
29	31-15-3100	Crankcase	(1)
32	14-73-1600	Wobble Shaft Assembly	(1)
32a	44-90-1180 ●	C-Ring	(1)
32b	32-60-1610	Pinion Gear	(1)
32c	36-66-1620	Reduction Gear Shaft	(1)
32d	32-60-1620	Internal Gear	(1)
32e	40-50-2140	Spring	(1)
32f	45-22-0925	Coupling Sleeve	(1)
32g	36-92-0800	Wobble Plate	(1)
32h	45-36-1825	Spacer	(1)
32j	32-05-0625	Bevel Gear	(1)
40	42-55-0050	Carrying Case	(1)

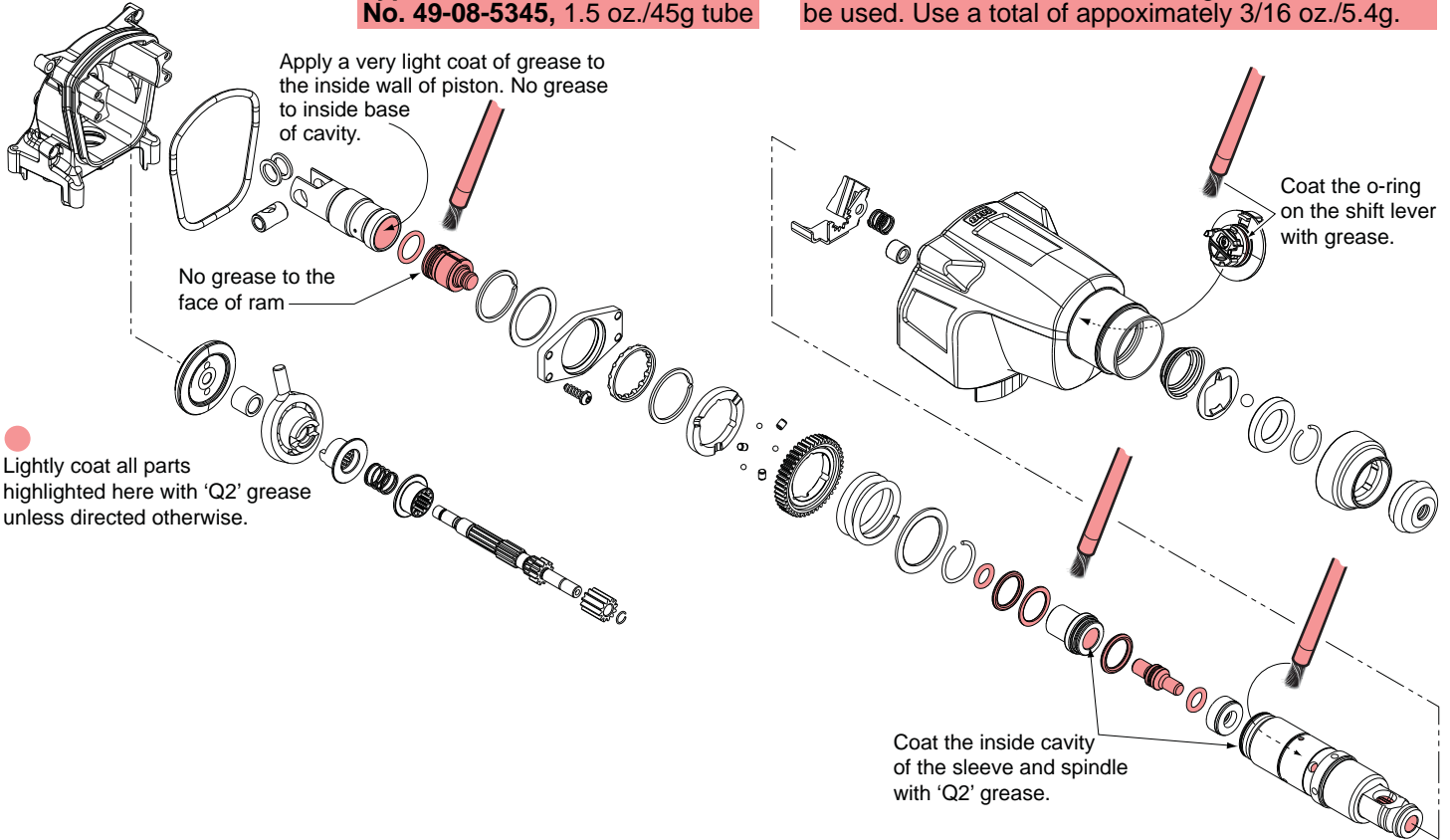
IMPORTANT NOTE:
When installing 'C' ring #4 onto spindle #11a be sure to position the "C" ring opening 180° from steel ball #6.

FIG.	PART NO.	DESCRIPTION OF PART	NO. REQ.
20	05-78-0870 ●	M4 x 0.7 x 24mm Taptite Screw (4 of 8)	(4)
28	43-44-1375 ●	Gasket	(1)
29	31-15-3100	Crankcase	(1)
32	14-73-1600	Wobble Shaft Assembly	(1)
32a	44-90-1180 ●	C-Ring	(1)
32b	32-60-1610	Pinion Gear	(1)
32c	36-66-1620	Reduction Gear Shaft	(1)
32d	32-60-1620	Internal Gear	(1)
32e	40-50-2140	Spring	(1)
32f	45-22-0925	Coupling Sleeve	(1)
32g	36-92-0800	Wobble Plate	(1)
32h	45-36-1825	Spacer	(1)
32j	32-05-0625	Bevel Gear	(1)
40	42-55-0050	Carrying Case	(1)

SCREW TORQUE CHART			
Item	Part Number	Where Used	Seat Torque (In./Lbs.)
20	05-78-0870	Mounting Bracket	43-52
20	05-78-0870	Motor Hsg. Cover & Support	21-26
21	05-74-1020	Crankcase Ball Bearing	20-24
24	05-74-1030	Bearing Cover	35-43
27	05-74-1060	Gear Housing Cover	13-18
33g	05-78-0910	Bearing End Plate	24-30
39c	05-81-5262	Motor Housing Cover	13-15

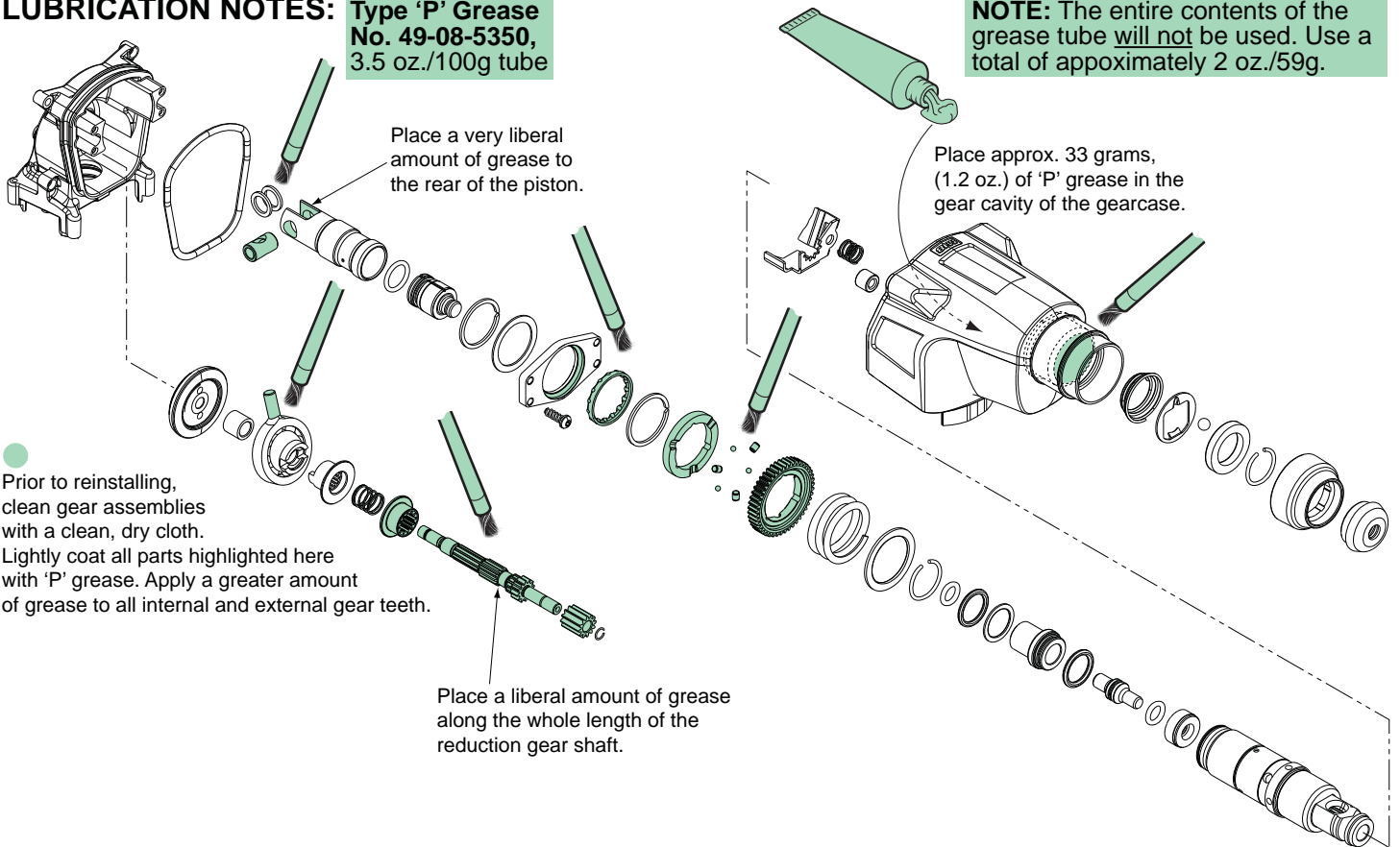
LUBRICATION NOTES: Type 'Q2' Grease
No. 49-08-5345, 1.5 oz./45g tube

NOTE: The entire contents of the grease tube will not be used. Use a total of approximately 3/16 oz./5.4g.

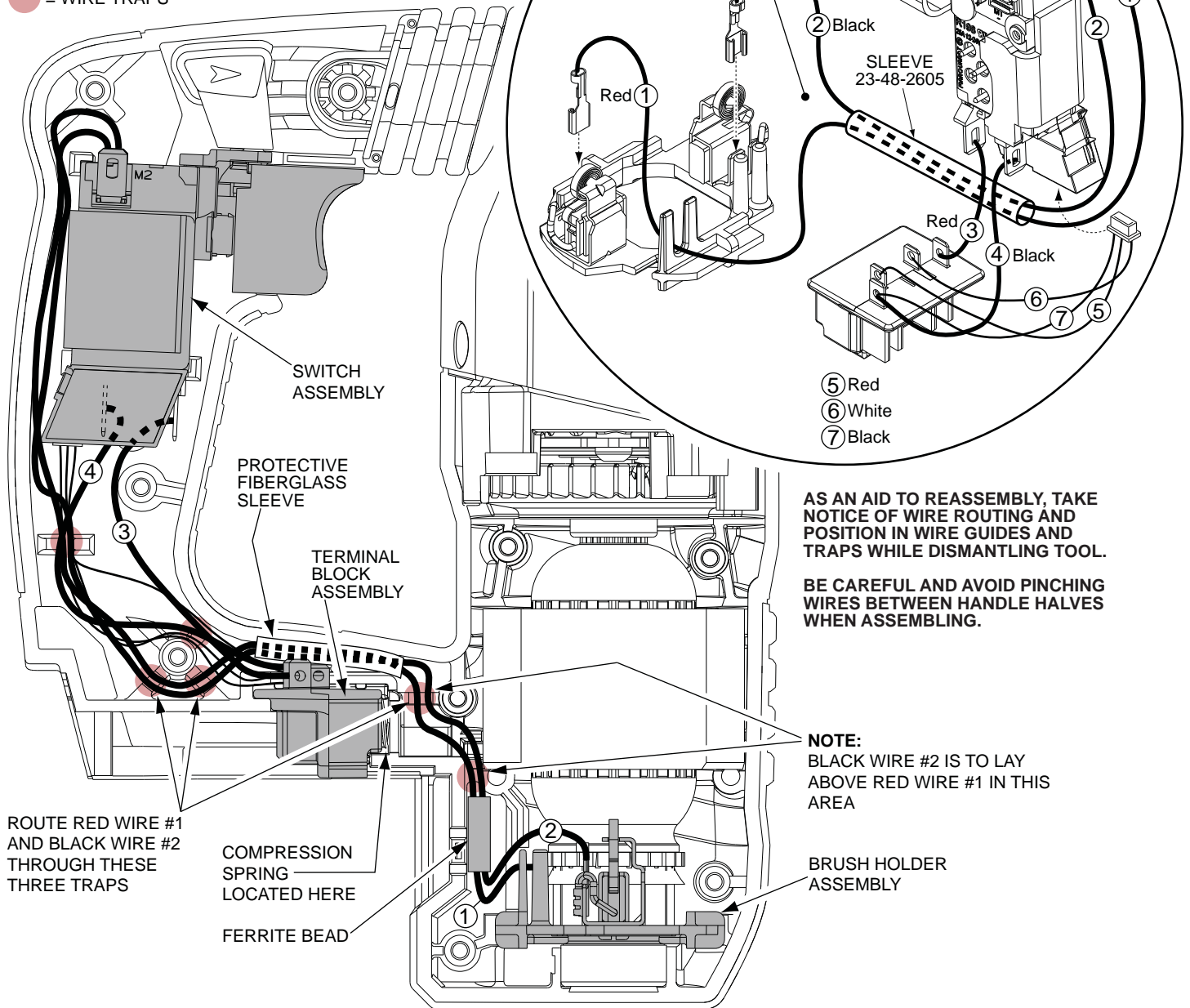


LUBRICATION NOTES: Type 'P' Grease
No. 49-08-5350, 3.5 oz./100g tube

NOTE: The entire contents of the grease tube will not be used. Use a total of approximately 2 oz./59g.



 = WIRE TRAPS



WIRING SPECIFICATIONS

Wire No.	Wire Color	Origin or Gauge	Length	Terminals, Connectors and 1 or 2 End Wire Preparation
1	Red	23-94-1970	-----	Components of Switch and Terminal Block Assembly or... Wire #1: Solder stripped end to 'M2' position on top of switch. Connect terminated end to left brush.
2	Black	23-94-1975	-----	Wire #2: Solder stripped end to 'M1' position on top of switch. Connect terminated end to right brush.
3	Red	23-66-3010	-----	Component of Switch and Terminal Block Assembly. Route wire in left handle half as shown.
4	Black	23-66-3010	-----	Component of Switch and Terminal Block Assembly. Route wire in left handle half as shown.
5	Red	23-66-3010	-----	Component of Switch and Terminal Block Assembly. Route wire in left handle half as shown.
6	White	23-66-3010	-----	Component of Switch and Terminal Block Assembly. Route wire in left handle half as shown.
7	Black	23-66-3010	-----	Component of Switch and Terminal Block Assembly. Route wire in left handle half as shown.