



SERVICE PARTS LIST

BULLETIN NO.
54-40-2601

SPECIFY CATALOG NO. AND SERIAL NO. WHEN ORDERING PARTS		REVISED BULLETIN 54-40-2600	DATE Jan. 2014
CORDLESS 18V COMPACT BAND SAW		WIRING INSTRUCTION SEE PAGES 4, 5, 6 & 7	
CATALOG NO.	2629-20	STARTING SERIAL NO.	C14B

EXAMPLE:
00 0 Component Parts (Small #)
Are Included When Ordering
The Assembly (Large #).

FIG.	PART NO.	DESCRIPTION OF PART	NO. REQ.
35	06-82-5574	10-24 x 7/8" Pan Hd. Tapt. T-25 Screw	(7)
36	06-82-0035	M5 Pan Hd. T-20 Screw	(3)
39	-----	Deck	(1)
47	22-22-0140	Brush Card Assembly	(1)
48	22-56-0150	Wire Nut (C1 & C2)	(2)

50	18-01-3015	Service Field	(1)
52	16-01-3091	Service Armature	(1)
53	05-78-0305	Switch Screw	(4)
54	45-88-1890	Spring Washer	(4)
55	06-82-5320	8-32 x 5/8" Pan Hd. Slit. Tapt. T-20 Screw	(3)
56	28-28-0060	Diaphragm	(1)
57	02-04-0645	Ball Bearing	(1)
58	-----	1st Gear	(1)
59	-----	Ball Bearing	(1)
60	-----	2nd Bevel Pinion	(1)
61	-----	Bevel/Spur Gear	(1)
62	-----	Needle Bearing	(2)
63	-----	Gearcase	(1)
64	02-04-0135	Ball Bearing	(1)
66	45-30-0255	Rubber Slug	(4)
67	-----	3rd Gear	(1)
68	-----	Pulley Shaft	(1)
69	43-96-0105	Key	(1)
70	02-04-1525	Ball Bearing	(1)
71	45-88-0406	Washer	(1)
72	28-14-0180	Bearing Plate Bottom	(1)
73	06-82-7261	6-19 x 11/16" Pan Hd. Slit. Plast. T-15 Screw	(2)
74	06-82-7270	8-16 x 5/8" Pan Hd. Slit. Plast. T-20 Screw	(12)
75	-----	Handle - Left	(1)
76	40-50-0650	Compression Spring	(1)
77	-----	Terminal Block Assembly	(1)
78	42-55-0100	Carrying Case	(1)
79	06-82-5294	1/4-20 x 3/4" Pan Hd. Tapt. T-30 Screw	(2)
80	23-66-1000	Switch	(1)
81	06-82-7251	8-16 x 3/8" Pan Hd. Slit. Plast. T-20 Screw	(1)
82	-----	Lock-Off Shuttle	(1)
83	40-50-0665	Detent Spring	(1)
84	10-20-1865	LED Label	(1)
85	-----	PCB	(1)
86	-----	Handle - Right	(1)
87	06-82-0045	3/8"-16 UNC-3A Hex Recess Screw	(1)
88	31-44-0095	Front T-Handle	(1)
89	06-82-5316	8-32 x 1/2" Pan Hd. Slit. Tapt. T-20 Screw	(2)
90	45-88-0825	Washer	(2)
91	-----	Motor Cover	(1)
92	-----	Wire Assembly	(1)
93	-----	LED Switch Box	(1)
94	31-44-0305	Handle Kit	(1)
95	31-15-0205	Motor Cover Assembly	(1)
96	28-90-0015	Deck Assembly	(1)
105	-----	Bevel Pinion Assembly } ORDER AS A SET (1)	(1)
106	-----	Bevel/Spur Gear Assy. } Cat. No. 32-05-2629 (1)	(1)
107	14-73-0040	Pulley Gear Assembly	(1)
108	14-30-0050	Top Gearcase Assembly	(1)
109	45-24-0055	Shuttle Lock-Off Kit	(1)
110	14-20-0025	Electronics Kit	(1)
111	-----	Brush Spring - Right Handed	(2)
112	-----	Brush Spring - Left Handed	(2)

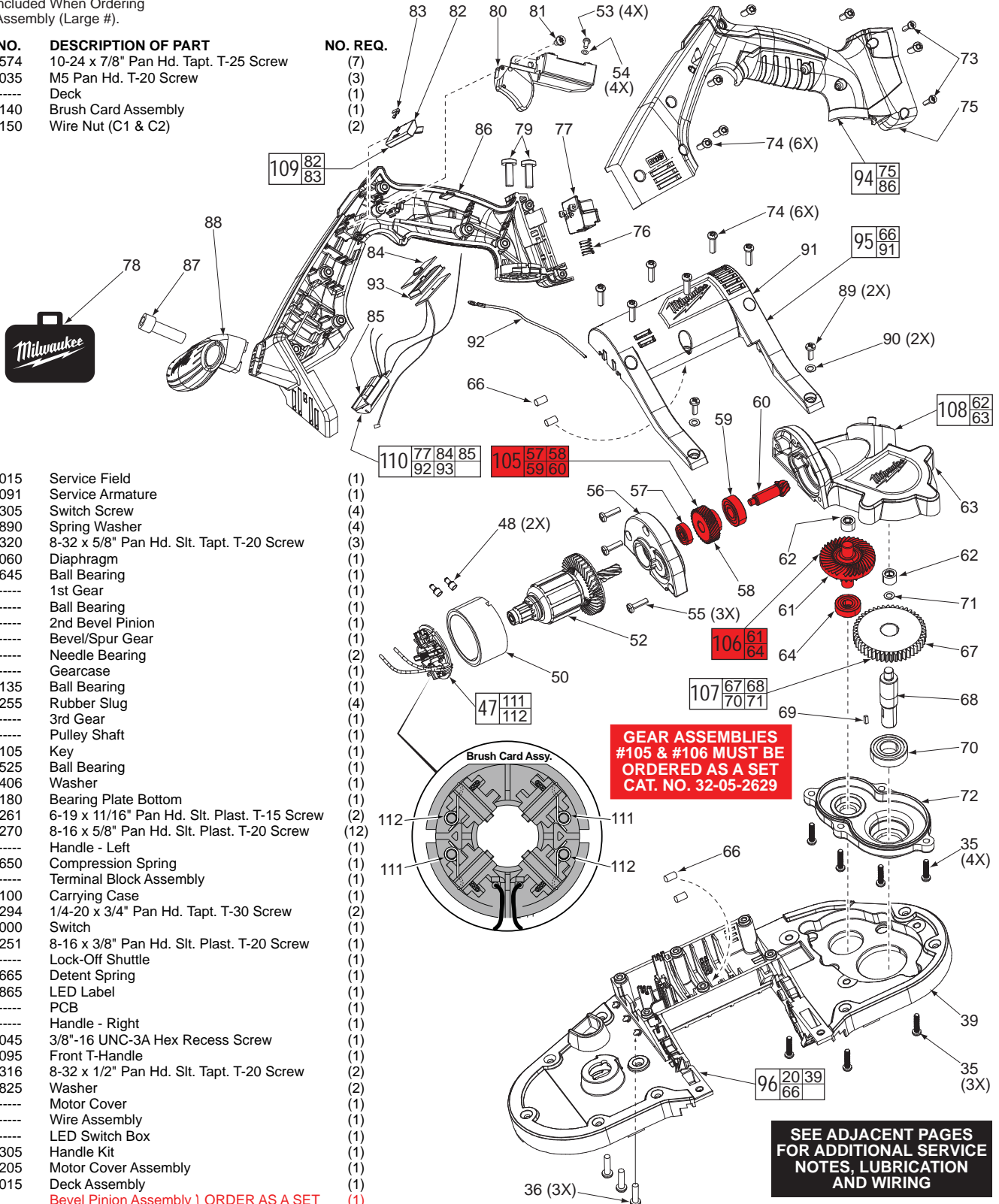
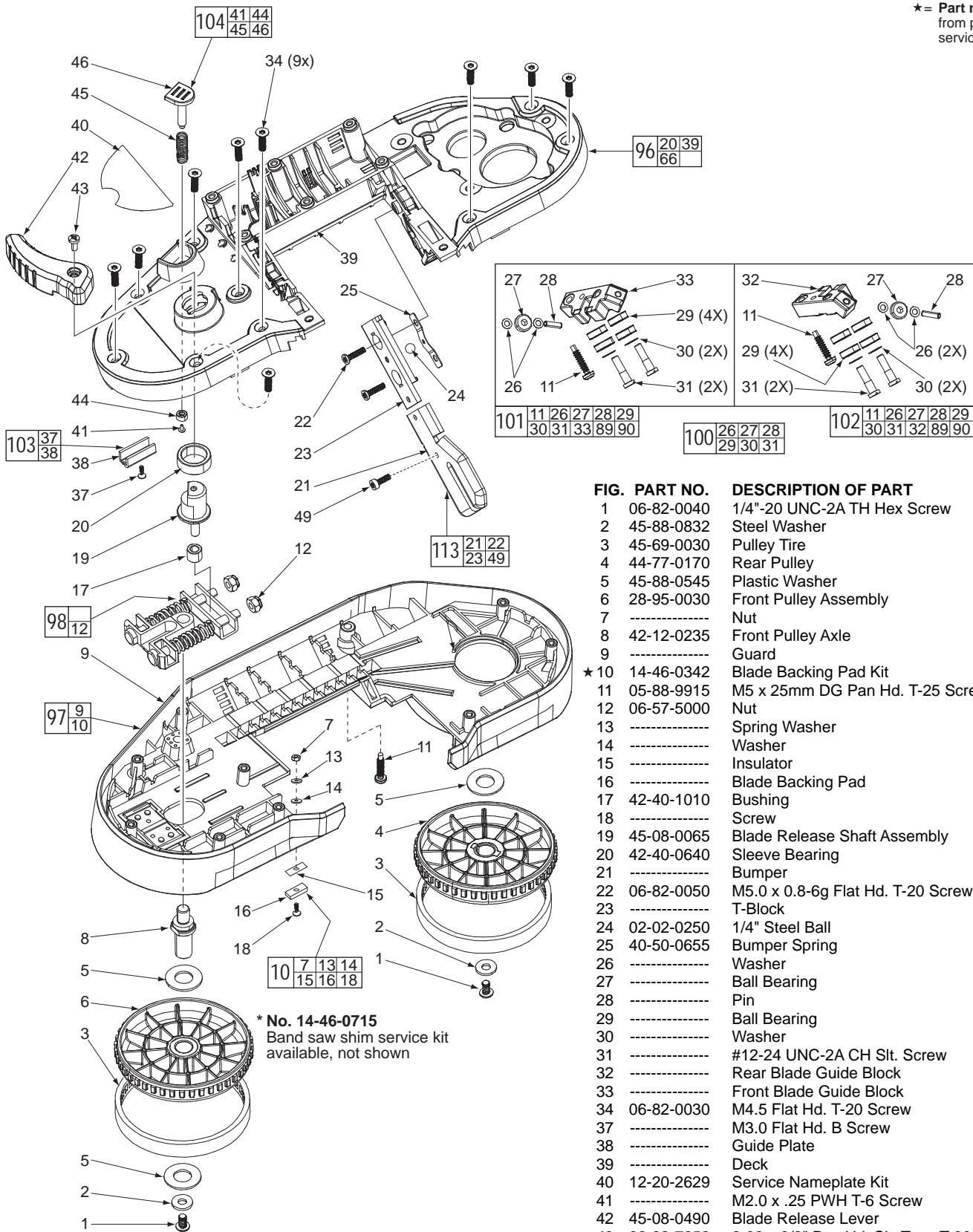


FIG. 64,70 NOTE:
Orient the Ball Bearings so the seal faces the gears.

68 Apply approximately .1g Loctite® C5-A Copper Anti-Seize (or equivalent) to bottom portion of Pulley Shaft that fits into Rear Pulley (4).

MILWAUKEE ELECTRIC TOOL CORPORATION
13135 W. LISBON RD., BROOKFIELD, WI 53005

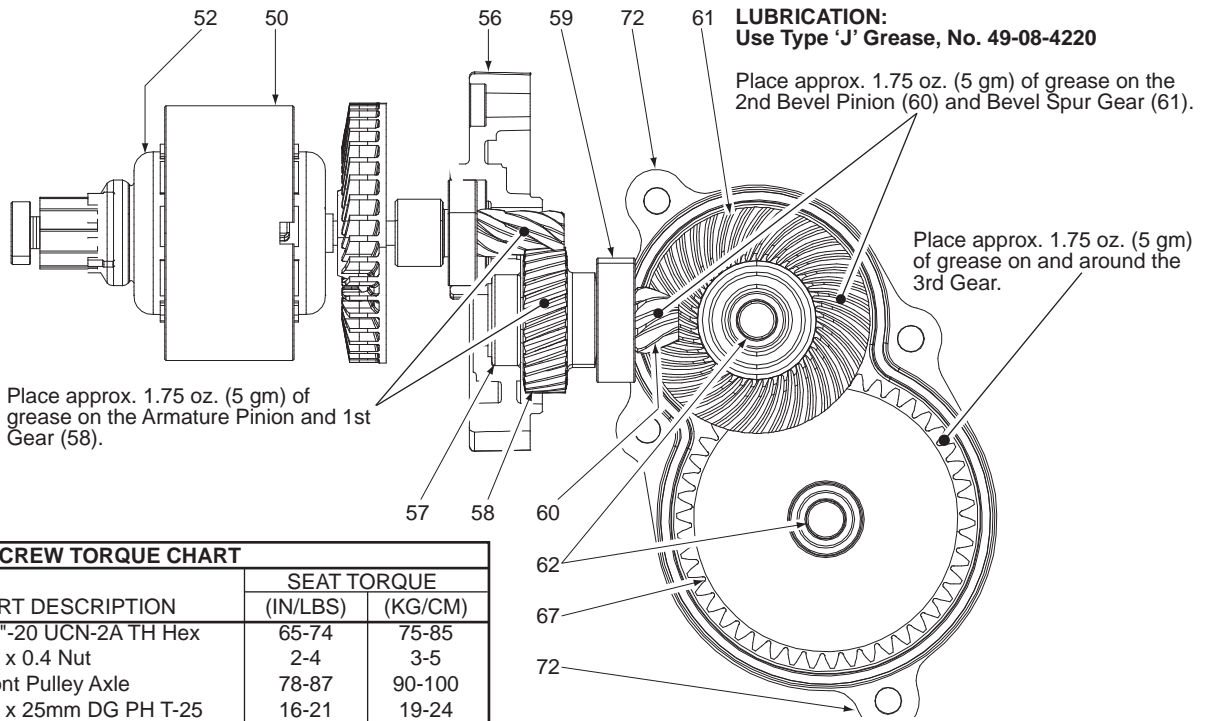
★ = Part number change from previous service parts list.



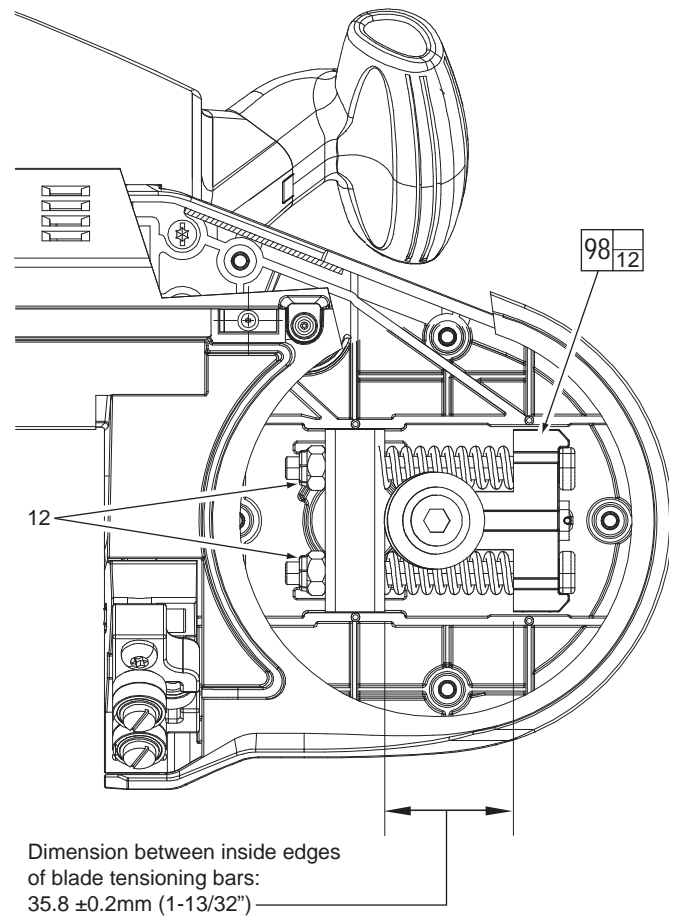
* No. 14-46-0715
Band saw shim service kit
available, not shown

FIG.	PART NO.	DESCRIPTION OF PART	NO. REQ.
	1	06-82-0040 1/4"-20 UNC-2A TH Hex Screw	(2)
	2	45-88-0832 Steel Washer	(2)
	3	45-69-0030 Pulley Tire	(2)
	4	44-77-0170 Rear Pulley	(1)
	5	45-88-0545 Plastic Washer	(3)
	6	28-95-0030 Front Pulley Assembly	(1)
	7	----- Nut	(1)
	8	42-12-0235 Front Pulley Axle	(1)
	9	----- Guard	(1)
	★10	14-46-0342 Blade Backing Pad Kit	(1)
	11	05-88-9915 M5 x 25mm DG Pan Hd. T-25 Screw	(3)
	12	06-57-5000 Nut	(2)
	13	----- Spring Washer	(1)
	14	----- Washer	(1)
	15	----- Insulator	(1)
	16	----- Blade Backing Pad	(1)
	17	42-40-1010 Bushing	(1)
	18	----- Screw	(1)
	19	45-08-0065 Blade Release Shaft Assembly	(1)
	20	42-40-0640 Sleeve Bearing	(1)
	21	----- Bumper	(1)
	22	06-82-0050 M5.0 x 0.8-6g Flat Hd. T-20 Screw	(2)
	23	----- T-Block	(1)
	24	02-02-0250 1/4" Steel Ball	(1)
	25	40-50-0655 Bumper Spring	(1)
	26	----- Washer	(4)
	27	----- Ball Bearing	(2)
	28	----- Pin	(2)
	29	----- Ball Bearing	(8)
	30	----- Washer	(4)
	31	----- #12-24 UNC-2A CH Slit. Screw	(4)
	32	----- Rear Blade Guide Block	(1)
	33	----- Front Blade Guide Block	(1)
	34	06-82-0030 M4.5 Flat Hd. T-20 Screw	(9)
	37	----- M3.0 Flat Hd. B Screw	(1)
	38	----- Guide Plate	(1)
	39	----- Deck	(1)
	40	12-20-2629 Service Nameplate Kit	(1)
	41	----- M2.0 x .25 PWH T-6 Screw	(1)
	42	45-08-0490 Blade Release Lever	(1)
	43	06-82-7252 8-32 x 3/8" Pan Hd. Slit. Tapt. T-20 Screw	(1)
	44	----- Bushing	(1)
	45	----- Spring	(1)
	46	----- Blade Ejection Pin	(1)
	49	----- Bandsaw Fixed Material Guide w/ Screw	(1)
	96	28-90-0015 Deck Assembly	(1)
	★97	28-41-0052 Guard Assembly	(1)
	98	42-18-0025 Blade Tension Bar Assembly	(1)
	100	14-46-0465 Guide Block Hardware Kit	(1)
	101	42-28-0410 Front Guide Block Assembly	(1)
	102	42-28-0420 Rear Guide Block Assembly	(1)
	103	44-66-0325 Guide Plate Kit	(1)
	104	44-60-0240 Blade Ejection Shaft Kit	(1)
	113	42-38-0010 Bumper Assembly	(1)

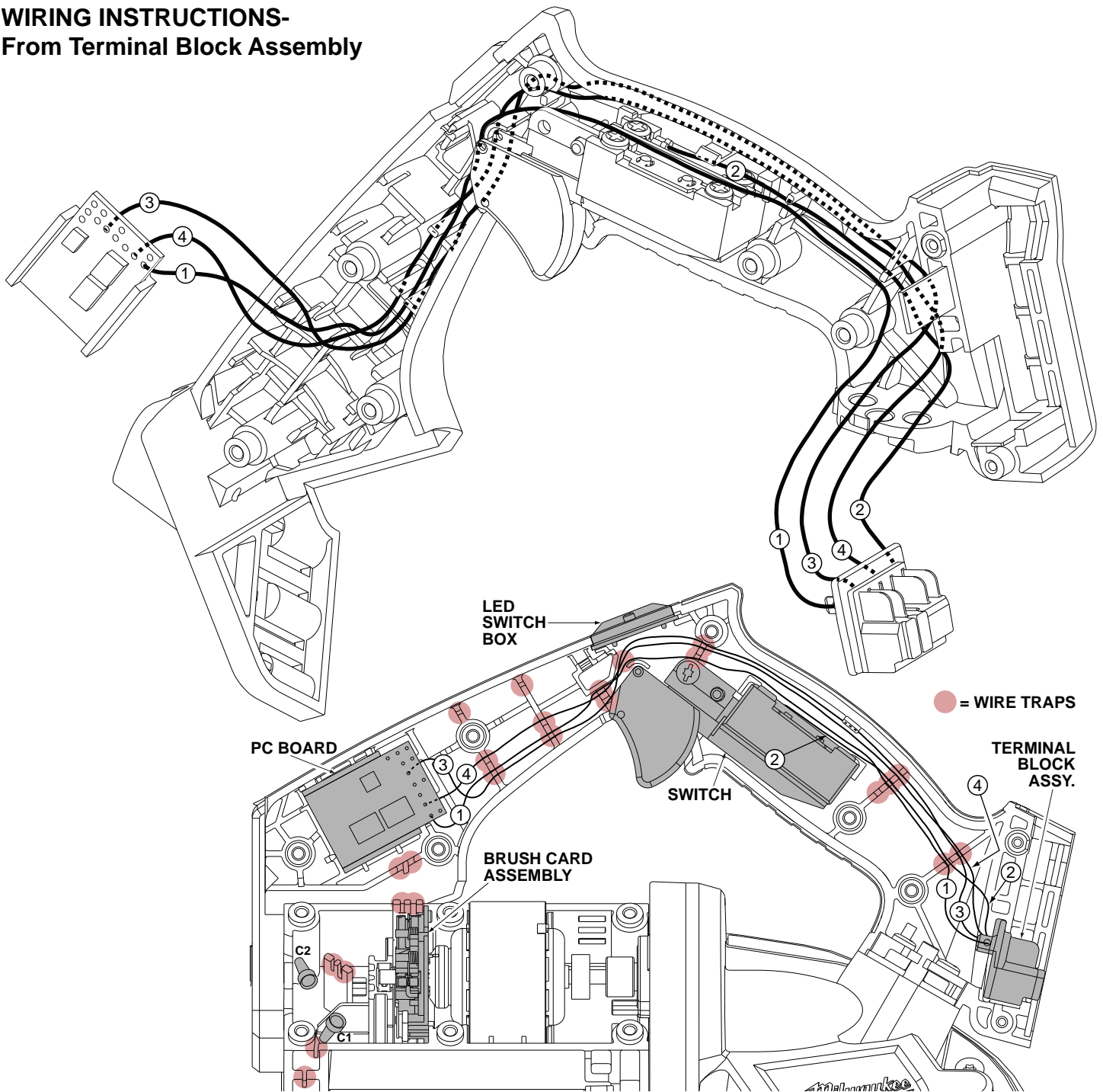
- FIG. NOTE:**
- 24 Apply Loctite® Silver Grade Anti-Seize Stick 80209 (or equivalent) to Steel Ball.
 - 8 Apply Loctite® Cleaner 755 (or equivalent) to Front Pulley Axle thread first then place a drop or two of Blue Loctite® 443 (or equivalent) to axle threads.
 - 18,41 Apply a drop of Blue Loctite® 443 (or equivalent) to threads of each screw.
 - 9,38 Apply Loctite® C5-A Copper Anti-Seize (or equivalent) to metal insert in Guard and to Guide Plate. Approximately .1g for each part.



SCREW TORQUE CHART				
ITEM	PART NO.	PART DESCRIPTION	SEAT TORQUE	
			(IN/LBS)	(KG/CM)
1	06-82-0040	1/4"-20 UCN-2A TH Hex	65-74	75-85
7	-----	M2 x 0.4 Nut	2-4	3-5
8	42-12-0235	Front Pulley Axle	78-87	90-100
11	05-88-9915	M5 x 25mm DG PH T-25	16-21	19-24
12	06-57-5000	Flex-Loc Nut	To Assembly Length	
18	-----	M2 x 0.4 T-6	2-4	3-5
22	06-82-0050	M5 x .8-6g FH T-20	26-30	30-35
31	06-82-0120	#12-24 UNC-2A CH Slotted	39-48	45-55
34	06-82-0030	M4.5 FH T-20	16-21	19-24
35	06-82-5574	#10-24 x 7/8" PH T-25	39-48	45-55
36	06-82-0035	M5.0 PH T-20	22-26	25-30
37	06-82-0010	M3 FH B	6-9	7-10
41	06-82-0025	M2.0 x .25 PWH T-6	2-4	3-5
43	06-82-7252	#8-32 x 3/8" PH T-20	22-26	25-30
55	06-82-5320	#8-32 x 5/8" PH T-20	26-31	30-36
73	06-82-7261	#6-19 x 11/16" PH T-15	16-21	19-24
74	06-82-7270	#8-16 x 5/8" PH T-20	16-21	19-24
79	06-82-5294	1/4"-20 UNC-2A PH T-30	65-74	75-85
81	06-82-7251	#8-16 x 3/8" PH T-20	10-14	12-16
87	06-82-0045	3/8"-16 UNC-3A T-20	87-104	100-120
89	06-82-5316	#8-32 x 1/2" PH T-20	16-21	19-24



WIRING INSTRUCTIONS- From Terminal Block Assembly

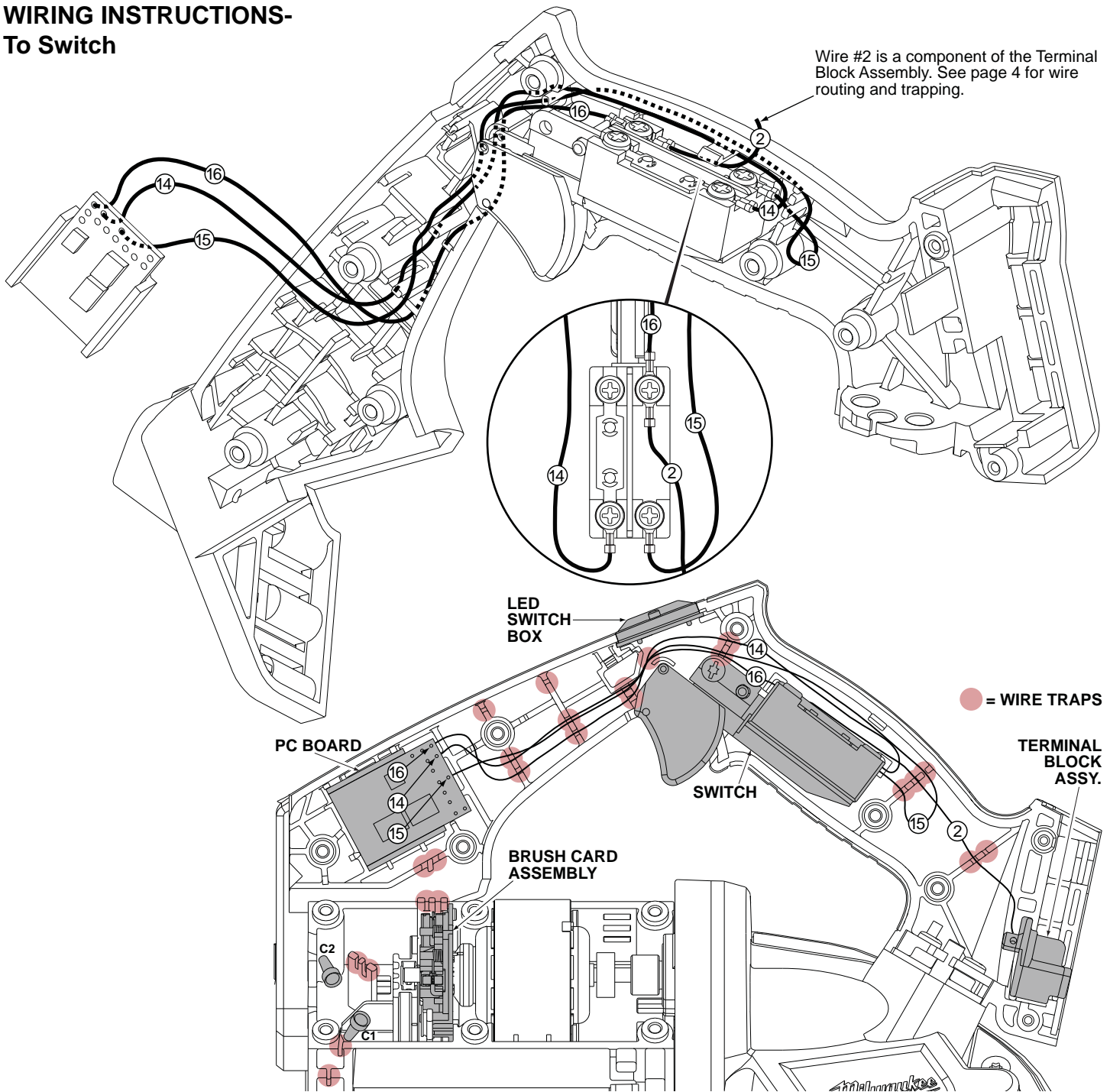


AS AN AID TO REASSEMBLY,
TAKE NOTICE OF WIRE ROUTING AND
POSITION IN WIRE GUIDES AND TRAPS
WHILE DISMANTLING TOOL.

BE CAREFUL AND AVOID PINCHING
WIRES BETWEEN HANDLE HALVES
WHEN ASSEMBLING.

WIRING SPECIFICATIONS				
Wire No.	Wire Color	Origin or Gauge	Length	Terminals, Connectors and 1 or 2 End Wire Preparation
1	Black	Electronics Kit	-----	Connects from Terminal Block Assembly to PCB.
2	Red	Electronics Kit	-----	Connects from Terminal Block Assembly to Switch.
3	Black	Electronics Kit	-----	Connects from Terminal Block Assembly to PCB.
4	Pink	Electronics Kit	-----	Connects from Terminal Block Assembly to PCB.
5	White	Electronics Kit	-----	Connects from LED Switch Box to PCB.
6	Pink	Electronics Kit	-----	Connects from LED Switch Box to LED.
7	Black	Electronics Kit	-----	Connects from LED Switch Box to PCB.
8	Pink	Electronics Kit	-----	Connects from LED Switch Box to PCB.
9	Black	Electronics Kit	-----	Connects from PCB to Wire #13 from Brush Card with C1.
10	Red	Electronics Kit	-----	Connects from PCB to Wire #12 from Brush Card with C2.
11	Black	Electronics Kit	-----	Connects from PCB to LED.
12	Red	Brush Card Assy.	-----	Connects from Brush Card to Wire #10 from PCB with C2.
13	Black	Brush Card Assy.	-----	Connects from Brush Card to Wire #9 from PCB with C1.
14	Red	Electronics Kit	-----	Connects from PCB to Switch. (See detail on page 5).
15	Black	Electronics Kit	-----	Connects from PCB to Switch. (See detail on page 5).
16	Pink	Electronics Kit	-----	Connects from PCB to Switch. (See detail on page 5).

WIRING INSTRUCTIONS- To Switch



AS AN AID TO REASSEMBLY,
TAKE NOTICE OF WIRE ROUTING AND
POSITION IN WIRE GUIDES AND TRAPS
WHILE DISMANTLING TOOL.

BE CAREFUL AND AVOID PINCHING
WIRES BETWEEN HANDLE HALVES
WHEN ASSEMBLING.

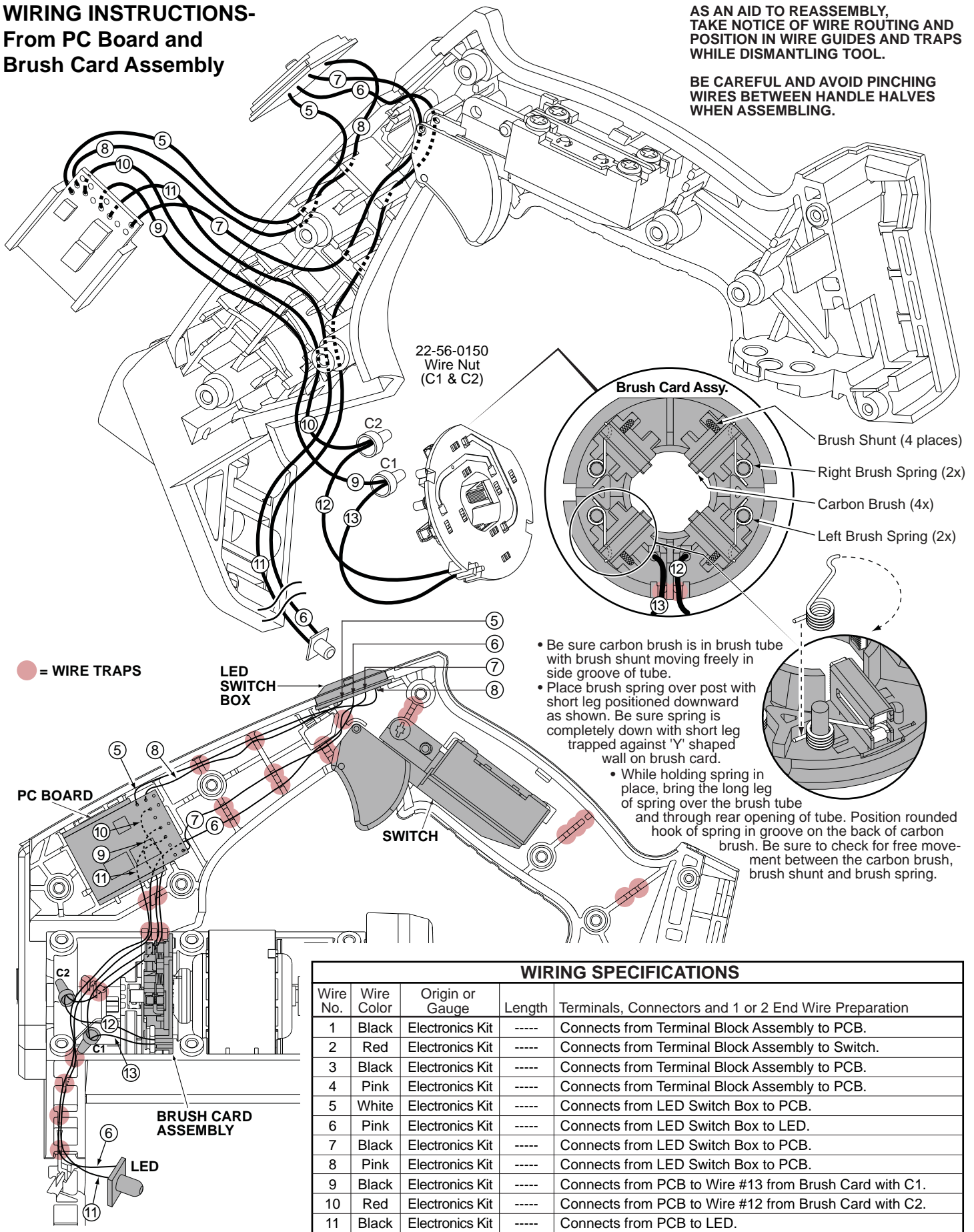
WIRING SPECIFICATIONS

Wire No.	Wire Color	Origin or Gauge	Length	Terminals, Connectors and 1 or 2 End Wire Preparation
1	Black	Electronics Kit	-----	Connects from Terminal Block Assembly to PCB.
2	Red	Electronics Kit	-----	Connects from Terminal Block Assembly to Switch.
3	Black	Electronics Kit	-----	Connects from Terminal Block Assembly to PCB.
4	Pink	Electronics Kit	-----	Connects from Terminal Block Assembly to PCB.
5	White	Electronics Kit	-----	Connects from LED Switch Box to PCB.
6	Pink	Electronics Kit	-----	Connects from LED Switch Box to LED.
7	Black	Electronics Kit	-----	Connects from LED Switch Box to PCB.
8	Pink	Electronics Kit	-----	Connects from LED Switch Box to PCB.
9	Black	Electronics Kit	-----	Connects from PCB to Wire #13 from Brush Card with C1.
10	Red	Electronics Kit	-----	Connects from PCB to Wire #12 from Brush Card with C2.
11	Black	Electronics Kit	-----	Connects from PCB to LED.
12	Red	Brush Card Assy.	-----	Connects from Brush Card to Wire #10 from PCB with C2.
13	Black	Brush Card Assy.	-----	Connects from Brush Card to Wire #9 from PCB with C1.
14	Red	Electronics Kit	-----	Connects from PCB to Switch. (See detail on page 5).
15	Black	Electronics Kit	-----	Connects from PCB to Switch. (See detail on page 5).
16	Pink	Electronics Kit	-----	Connects from PCB to Switch. (See detail on page 5).

WIRING INSTRUCTIONS- From PC Board and Brush Card Assembly

AS AN AID TO REASSEMBLY,
TAKE NOTICE OF WIRE ROUTING AND
POSITION IN WIRE GUIDES AND TRAPS
WHILE DISMANTLING TOOL.

BE CAREFUL AND AVOID PINCHING
WIRES BETWEEN HANDLE HALVES
WHEN ASSEMBLING.



- Be sure carbon brush is in brush tube with brush shunt moving freely in side groove of tube.
- Place brush spring over post with short leg positioned downward as shown. Be sure spring is completely down with short leg trapped against 'Y' shaped wall on brush card.
- While holding spring in place, bring the long leg of spring over the brush tube and through rear opening of tube. Position rounded hook of spring in groove on the back of carbon brush. Be sure to check for free movement between the carbon brush, brush shunt and brush spring.

WIRING SPECIFICATIONS

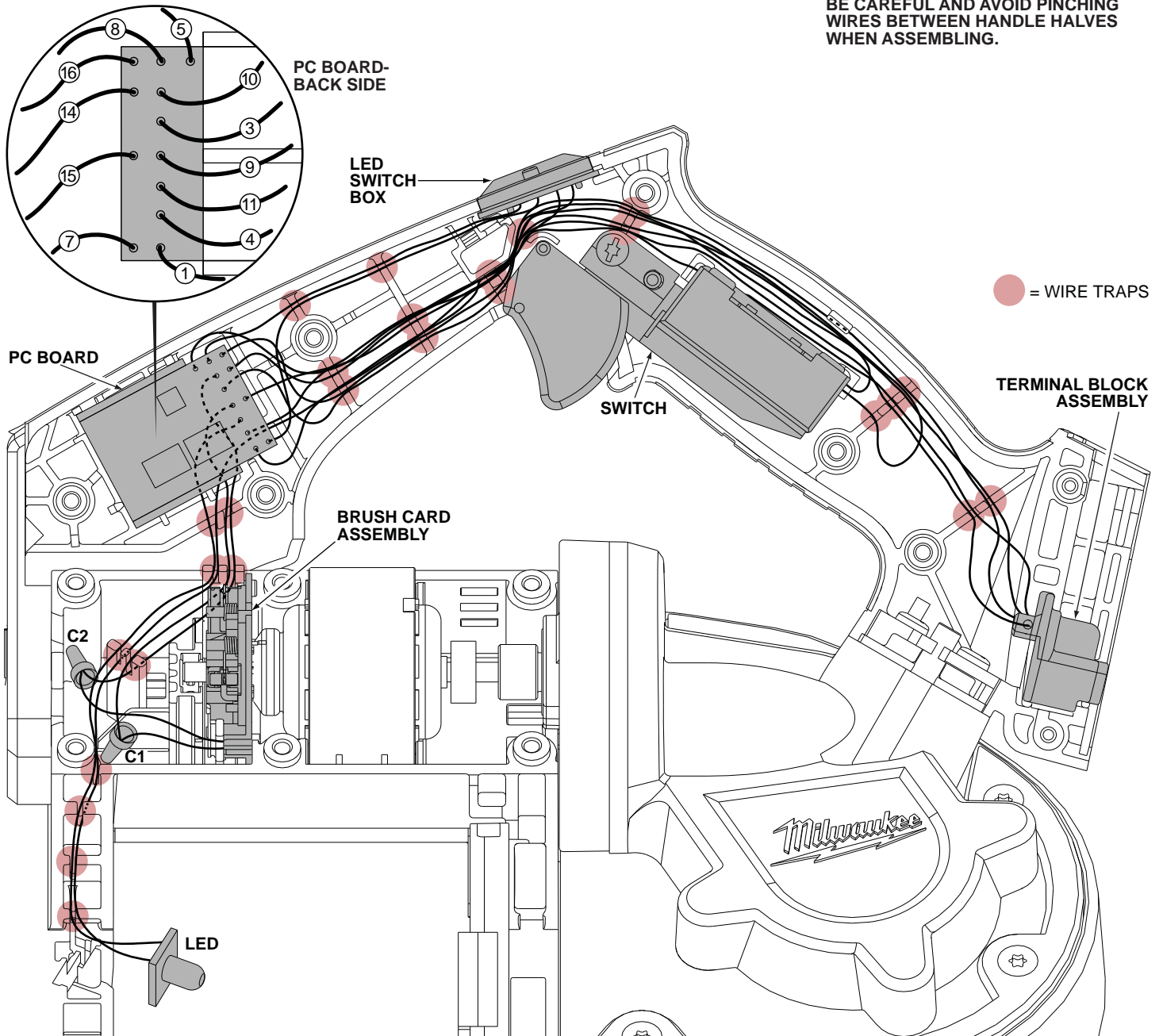
Wire No.	Wire Color	Origin or Gauge	Length	Terminals, Connectors and 1 or 2 End Wire Preparation
1	Black	Electronics Kit	-----	Connects from Terminal Block Assembly to PCB.
2	Red	Electronics Kit	-----	Connects from Terminal Block Assembly to Switch.
3	Black	Electronics Kit	-----	Connects from Terminal Block Assembly to PCB.
4	Pink	Electronics Kit	-----	Connects from Terminal Block Assembly to PCB.
5	White	Electronics Kit	-----	Connects from LED Switch Box to PCB.
6	Pink	Electronics Kit	-----	Connects from LED Switch Box to LED.
7	Black	Electronics Kit	-----	Connects from LED Switch Box to PCB.
8	Pink	Electronics Kit	-----	Connects from LED Switch Box to PCB.
9	Black	Electronics Kit	-----	Connects from PCB to Wire #13 from Brush Card with C1.
10	Red	Electronics Kit	-----	Connects from PCB to Wire #12 from Brush Card with C2.
11	Black	Electronics Kit	-----	Connects from PCB to LED.
12	Red	Brush Card Assy.	-----	Connects from Brush Card to Wire #10 from PCB with C2.
13	Black	Brush Card Assy.	-----	Connects from Brush Card to Wire #9 from PCB with C1.
14	Red	Electronics Kit	-----	Connects from PCB to Switch. (See detail on page 5).
15	Black	Electronics Kit	-----	Connects from PCB to Switch. (See detail on page 5).
16	Pink	Electronics Kit	-----	Connects from PCB to Switch. (See detail on page 5).

WIRING INSTRUCTIONS-

All wire routings and trapping

AS AN AID TO REASSEMBLY, TAKE NOTICE OF WIRE ROUTING AND POSITION IN WIRE GUIDES AND TRAPS WHILE DISMANTLING TOOL.

BE CAREFUL AND AVOID PINCHING WIRES BETWEEN HANDLE HALVES WHEN ASSEMBLING.



WIRING SPECIFICATIONS

Wire No.	Wire Color	Origin or Gauge	Length	Terminals, Connectors and 1 or 2 End Wire Preparation
1	Black	Electronics Kit	-----	Connects from Terminal Block Assembly to PCB.
2	Red	Electronics Kit	-----	Connects from Terminal Block Assembly to Switch.
3	Black	Electronics Kit	-----	Connects from Terminal Block Assembly to PCB.
4	Pink	Electronics Kit	-----	Connects from Terminal Block Assembly to PCB.
5	White	Electronics Kit	-----	Connects from LED Switch Box to PCB.
6	Pink	Electronics Kit	-----	Connects from LED Switch Box to LED.
7	Black	Electronics Kit	-----	Connects from LED Switch Box to PCB.
8	Pink	Electronics Kit	-----	Connects from LED Switch Box to PCB.
9	Black	Electronics Kit	-----	Connects from PCB to Wire #13 from Brush Card with C1.
10	Red	Electronics Kit	-----	Connects from PCB to Wire #12 from Brush Card with C2.
11	Black	Electronics Kit	-----	Connects from PCB to LED.
12	Red	Brush Card Assy.	-----	Connects from Brush Card to Wire #10 from PCB with C2.
13	Black	Brush Card Assy.	-----	Connects from Brush Card to Wire #9 from PCB with C1.
14	Red	Electronics Kit	-----	Connects from PCB to Switch. (See detail on page 5).
15	Black	Electronics Kit	-----	Connects from PCB to Switch. (See detail on page 5).
16	Pink	Electronics Kit	-----	Connects from PCB to Switch. (See detail on page 5).